



MECHANICAL DEVICES MULTIPLE OPERATION MANAGEMENT (FROM THREE POINTS) AND CORRESPONDING COMPATIBLE CABLES **MODEL QUICKSTART - DGM**

QUICKSTART-DGM allows to actuate the same mechanism from two or three different and independent points.

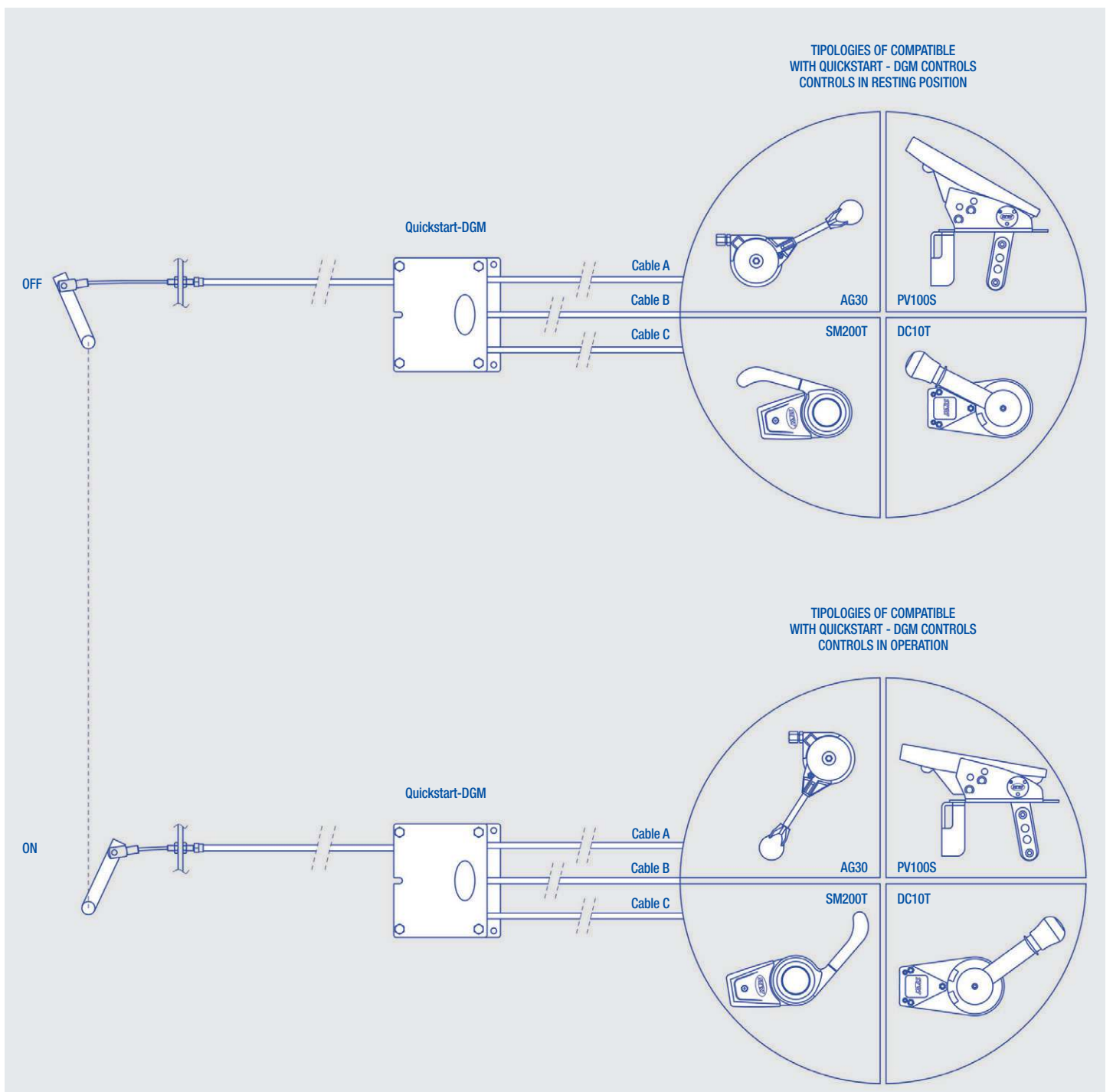
The compatible controls are: mechanical pedals and lateral levers.

Application example: machines in which the operator rotates inside the cabine and must find controls that are installed on more points for the management of the same mechanism.





MECHANICAL DEVICES OPERATING DIAGRAM MODEL QUICKSTART - DGM

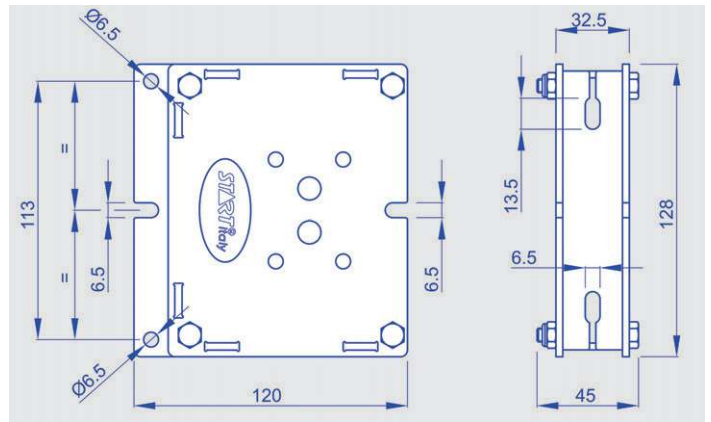




MECHANICAL DEVICES **QUICKSTART-DGM (Device for Multiple Management)** **MODEL QUICKSTART - DGM**

Characteristics:

- Connectable controls: 2 or 3
- Linear cable stroke: up to 72 mm (according to the chosen control)
- Assembly: on walls
- Fastening type: through screws
- Material: metal
- Metal treatment: zinc plated



To order: compose, please, your product code inserting the boldfaced code corresponding to the chosen option in the proper square.

DGM				
------------	--	--	--	--

- Cable "A" control model DC10T: **01**
- Cable "A" control model AG30: **02**
- Cable "A" control model SM200T: **03**
- Cable "A" control model PV100S: **04**

- Cable "B" control model DC10T: **05**
- Cable "B" control model AG30: **06**
- Cable "B" control model SM200T: **07**
- Cable "B" control model PV100S: **08**

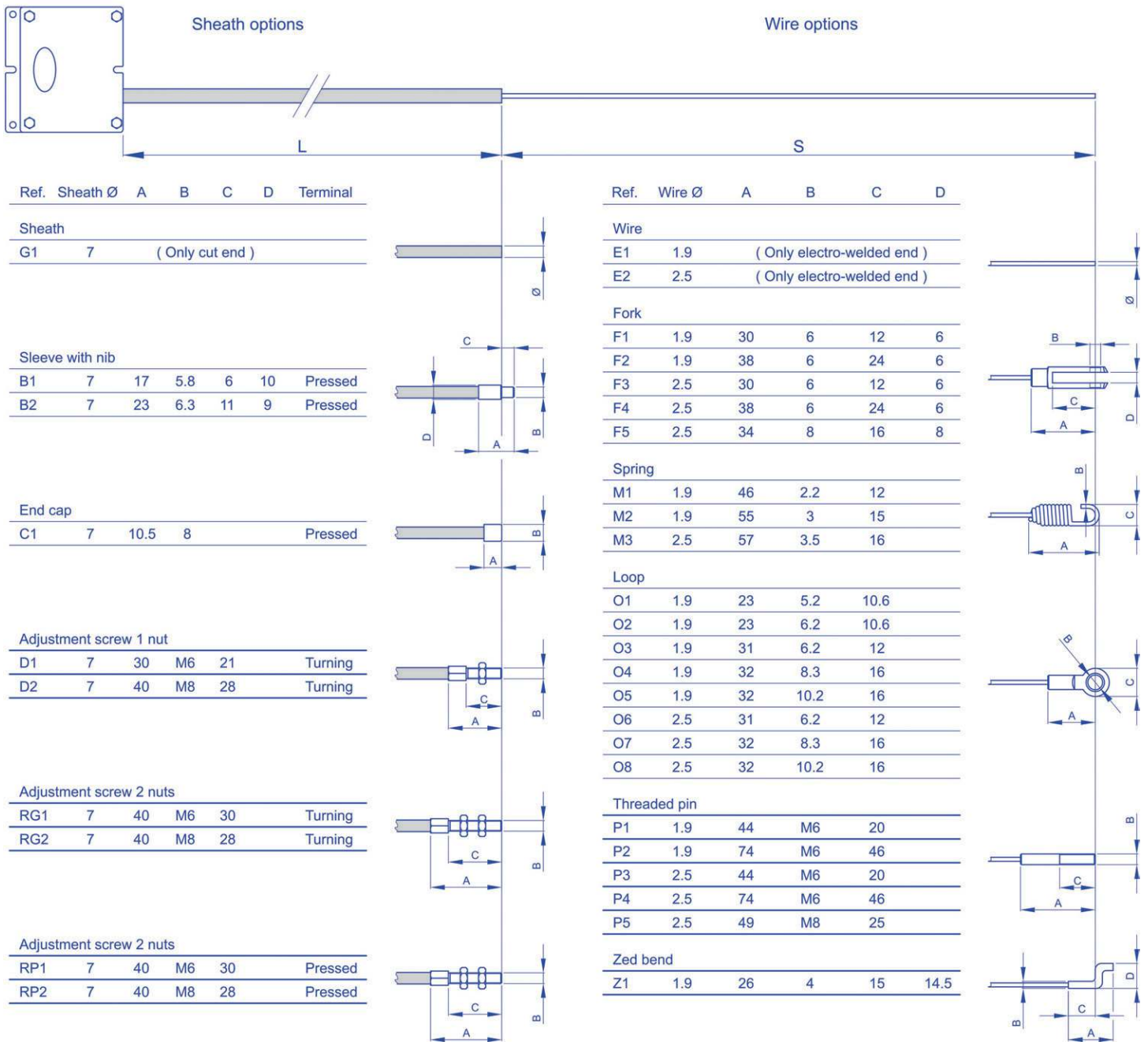
- Cable "C" control model DC10T: **09**
- Cable "C" control model AG30: **10**
- Cable "C" control model SM200T: **11**
- Cable "C" control model PV100S: **12**



MECHANICAL DEVICES COMPATIBLE CABLES MODEL QUICKSTART - DGM

Characteristics:

Sheath diameter: Ø7 mm with inner antifriction tube
 Sheath length: upon request
 Wire diameter: Ø1,9 mm or Ø2,5 mm
 Wire protrusion length: upon request
 Sheath terminals: see table
 Wire terminals: see table





MECHANICAL DEVICES ORDER FORM FOR COMPATIBLE CABLES MODEL QUICKSTART - DGM

To order:

The technical options that are represented on the opposite page are the standard personalizations which are provided from the company.

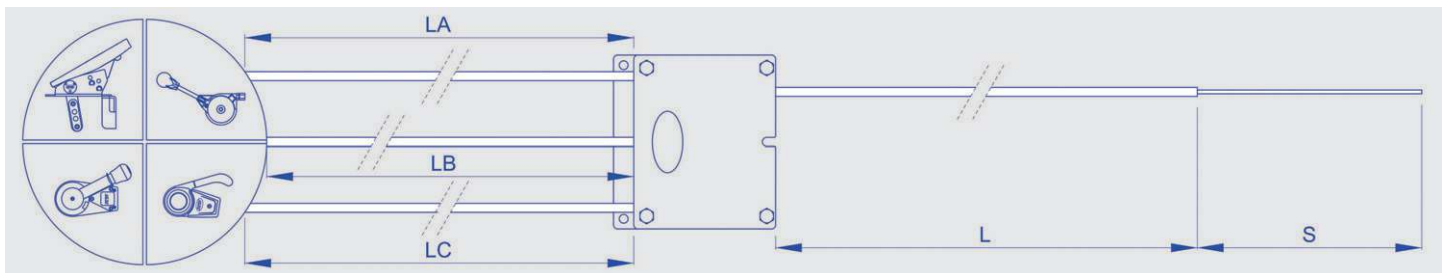
Among these possibilities, you can choose the cable construction that meets your requirements.

Find out your preferences and fill in the boxes with the number or the letters/number corresponding to your options.

Example: if you want a sleeve with nib as terminal, indicate the code 02 or 03, according to your needs.

And so on for other variables.

The same procedure must be used to choose the wire: start choosing the diameter and then select the corresponding options.



To order: compose, please, your product code inserting the boldfaced code corresponding to the chosen option in the proper square.

QUICKSTART-DGM										
----------------	--	--	--	--	--	--	--	--	--	--

Sheath length (L) in mm: _____

Wire protrusion length (S) in mm: _____

Sheath (only cut) G2: **01**

Sleeve with nib B1: **02**

Sleeve with nib B2: **03**

End cap C1: **04**

Adjustment screw 1 nut D1: **05**

Adjustment screw 1 nut D2: **06**

Turning adjustment screw 2 nuts RG1: **07**

Turning adjustment screw 2 nuts RG2: **08**

Pressed adjustment screw 2 nuts RP1: **09**

Pressed adjustment screw 2 nuts RP2: **10**

Sheath length (LC) in mm: _____

Sheath length (LB) in mm: _____

Sheath length (LA) in mm: _____

Only electro-welded wire Ø1,9 mm without terminal E1: **11**

Only electro-welded wire Ø2,5 mm without terminal E2: **12**

Fork F1: **13**

Fork F2: **14**

Fork F3: **15**

Fork F4: **16**

Fork F5: **17**

Spring M1: **18**

Spring M2: **19**

Spring M3: **20**

Loop O1: **21**

Loop O2: **22**

Loop O3: **23**

Loop O4: **24**

Loop O5: **25**

Loop O6: **26**

Loop O7: **27**

Loop O8: **28**

Threaded pin P1: **29**

Threaded pin P2: **30**

Threaded pin P3: **31**

Threaded pin P4: **32**

Threaded pin P5: **33**

Zed bend Z1: **34**



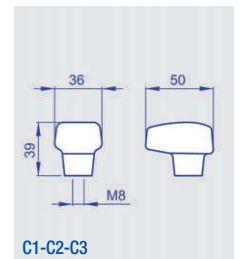
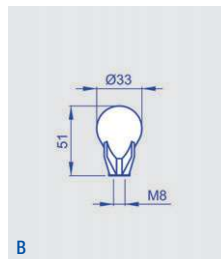
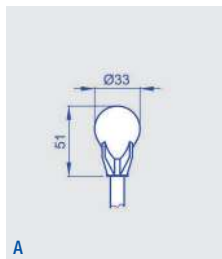
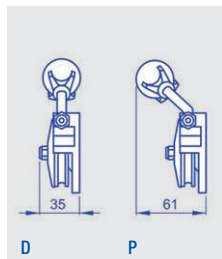
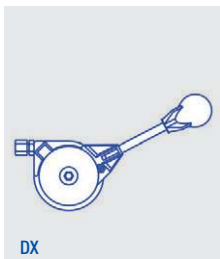
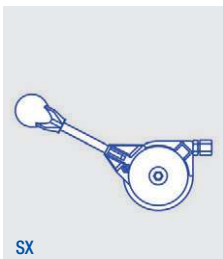
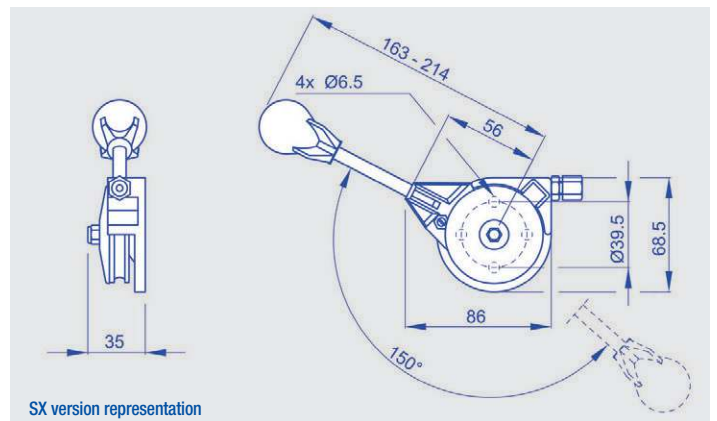
MECHANICAL DEVICES

CONTROLS TO OPERATE QUICKSTART-DGM (Device for Multiple Management)

MODEL AG 30

Characteristics:

- Cable linear stroke: 72 mm
- Assembly: on walls Fastening type: with M6 through screws
- Functioning: frictioned having an adjustable stiffness Version: left or right
- Lever material: nylon with stainless steel insert Lever typology: straight or bent
- Lever length: 163 mm or 214 mm Knob material: nylon
- Knob typology: fixed (available only with stainless steel lever length 163 mm) or unscrewable
- Knob shape: round or rectangular Round knob colour: black Rectangular knob colour: black - red - orange



To order: compose, please, your product code inserting the boldfaced code corresponding to the chosen option in the proper square.

AG 30

Lever version left: **SX**
Lever version right: **DX**

Lever length 163 mm: **1**
Lever length 214 mm: **2**

Straight lever: **D**
Bent lever: **P**

Fixed round black knob (available only with lever 163 mm long): **A**
Unscrewable round black knob: **B**
Unscrewable rectangular black knob: **C1**
Unscrewable rectangular red knob: **C2**
Unscrewable rectangular orange knob: **C3**

Assembly on LA cable: **3**
Assembly on LB cable: **4**
Assembly on LC cable: **5**



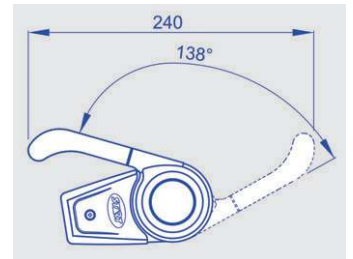
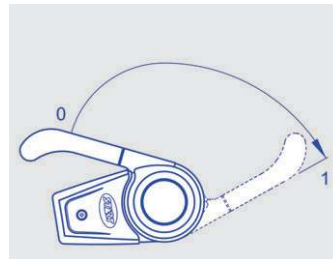
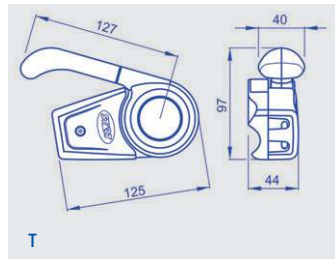
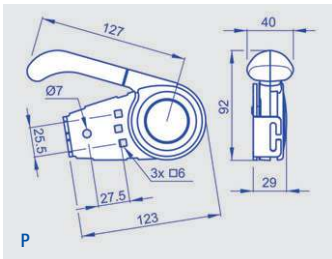
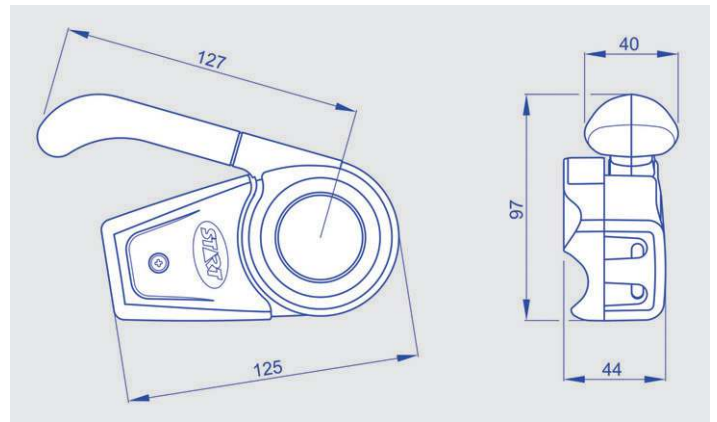
MECHANICAL DEVICES

CONTROLS TO OPERATE QUICKSTART-DGM (Device for Multiple Management)

MODEL SM 200T

Characteristics:

- Cable linear stroke in locking position: 25 - 34 - 42 - 50 mm
- Assembly: on walls or on tubes
- Fastening type: on walls with two fastening screws or on tubes with a through screw
- Tube outer diameter: 22 mm - 25 mm - 26 mm - 27 mm - 28 mm - 30 mm
- Lever functioning: free with locking at stroke end
- Holder material: metal Lever and external casing material: nylon
- Nylon colour: black



To order: compose, please, your product code inserting the boldfaced code corresponding to the chosen option in the proper square.

SM 200T

- Linear stroke with locking at stroke end mm 25: **01**
- Linear stroke with locking at stroke end mm 34: **02**
- Linear stroke with locking at stroke end mm 42: **03**
- Linear stroke with locking at stroke end mm 50: **04**

- Wall fastening (P): **05**
- Fastening on outer tube (T) Ø mm 22: **06**
- Fastening on outer tube (T) Ø mm 25: **07**
- Fastening on outer tube (T) Ø mm 26: **08**
- Fastening on outer tube (T) Ø mm 27: **09**
- Fastening on outer tube (T) Ø mm 28: **10**
- Fastening on outer tube (T) Ø mm 30: **11**

- Assembly on LA cable: **A**
- Assembly on LB cable: **B**
- Assembly on LC cable: **C**



MECHANICAL DEVICES

CONTROLS TO OPERATE QUICKSTART-DGM (Device for Multiple Management)

MODEL DC 10T VERSIONS DC 10T-B1 / DC 10T-B2

Characteristics:

Versions: with initial or final block, not frictioned or with initial or final block with friction having an adjustable stiffness

Cable linear stroke: 72 mm

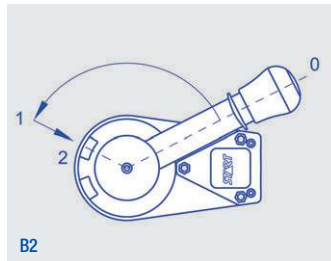
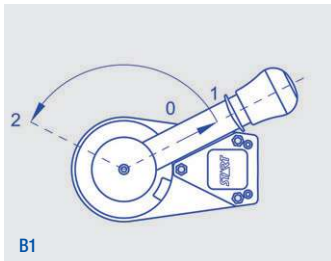
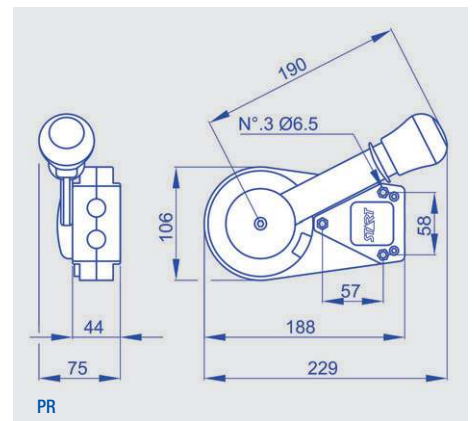
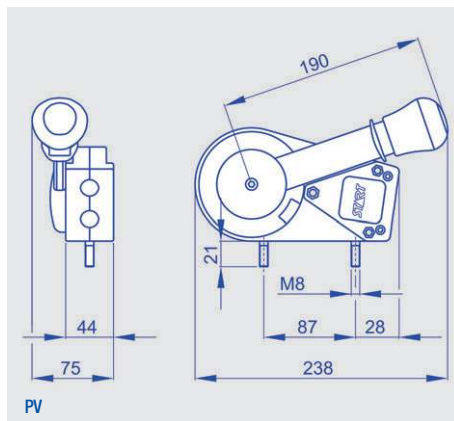
Fastening type: floor fastening or wall fastening

Lever material: steel and nylon

Lever rotation arch: 126° Lever ratio: 6:1

Lever colour: black

Knob colour: red or black



To order: compose, please, your product code inserting the boldfaced code corresponding to the chosen option in the proper square.

DC 10T

Version with initial block: **B1**

Version with final block: **B2**

Not frictioned functioning: **L**

Functioning with friction having an adjustable stiffness: **F**

Floor fastening: **PV**

Wall fastening: **PR**

Red knob: **R**

Black knob: **N**

Assembly on LA cable: **A**

Assembly on LB cable: **B**

Assembly on LC cable: **C**



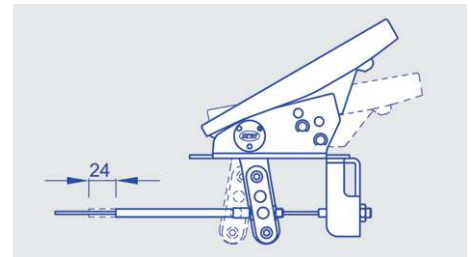
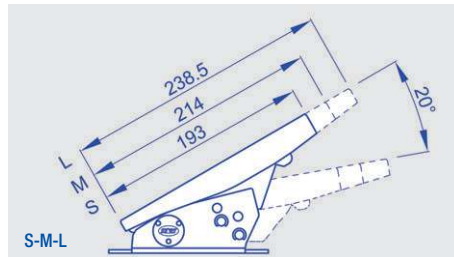
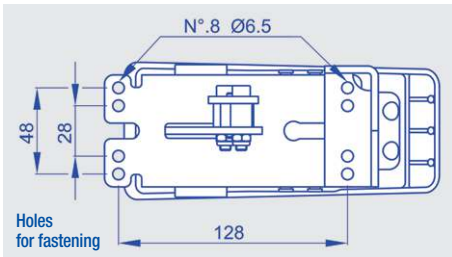
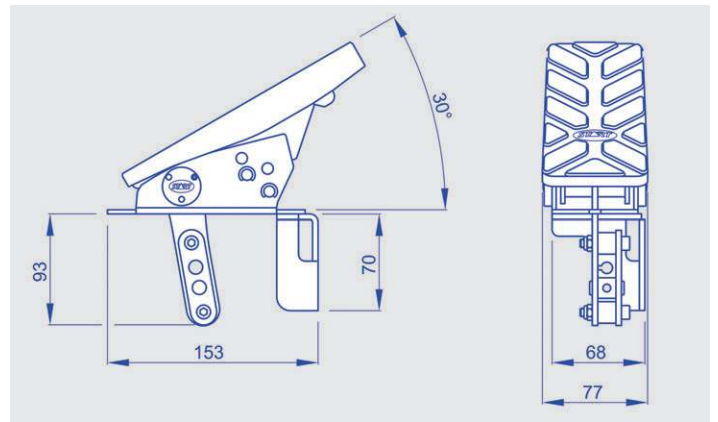
MECHANICAL DEVICES

CONTROLS TO OPERATE QUICKSTART-DGM (Device for Multiple Management)

MODEL PV 100S

Characteristics:

- Cable linear stroke: 24 or 29 mm
- Assembly: floor assembly Fastening type: with screws
- Opening angle: 30° Operative angle: 20°
- Footrest length: short - medium - long
- Footrest material and colour: black nylon Pedal arm and support base material: metal
- Support surface finish: black cataphoresis
- Cable outlet: backwards



To order: compose, please, your product code inserting the boldfaced code corresponding to the chosen option in the proper square.

PV 100S

Cable linear stroke mm 24: **1**
 Cable linear stroke mm 29: **2**

Short footrest length: **S**
 Medium footrest length: **M**
 Long footrest length: **L**

Assembly on LA cable: **A**
 Assembly on LB cable: **B**
 Assembly on LC cable: **C**