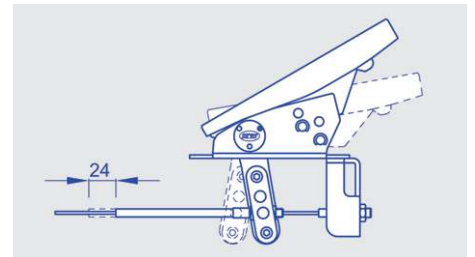
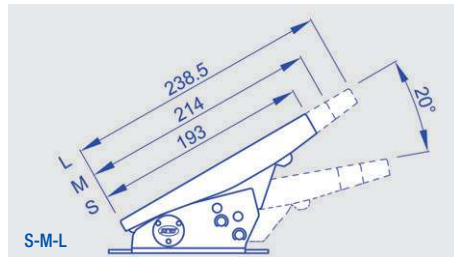
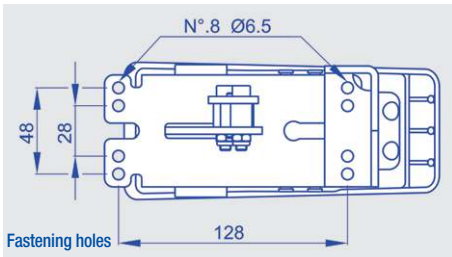
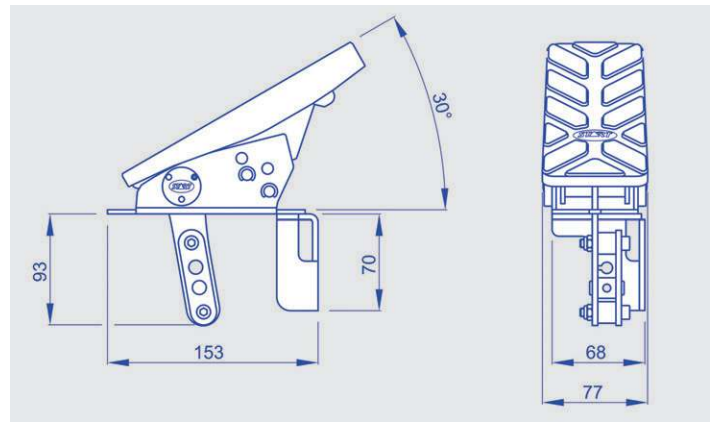




MECHANICAL PEDALS WITH SINGLE CABLE AND ORDER FORM MODEL PV 100S

Characteristics:

- Cable linear stroke: 24 or 29 mm
- Assembly: floor assembly Fastening type: with screws
- Opening angle: 30° Operative angle: 20°
- Footrest length: short – medium – long
- Footrest material and colour: black nylon Pedal arm and support base material: metal
- Support surface finish: black cataphoresis
- Cable outlet: backwards



To order: compose, please, your product code inserting the boldfaced code corresponding to the chosen option in the proper square.

PV 100S

Cable linear stroke mm 24: **1**
Cable linear stroke mm 29: **2**

Short footrest length: **S**
Medium footrest length: **M**
Long footrest length: **L**



MECHANICAL PEDALS COMPATIBLE CABLES MODELS PV 100S - PV 100D

Characteristics:

Sheath diameter: Ø7 mm with inner antifriction tube

Sheath length: upon request

Wire diameter: Ø1,9 mm or Ø2,5 mm

Wire protrusion length: upon request

Sheath terminals: see table

Wire terminals: see table

Sheath options

| Ref. | Sheath Ø | A | B | C | D | Terminal |
|--------------------------------|----------|------------------|-----|----|----|----------|
| Sheath | | | | | | |
| G1 | 7 | (Only cut end) | | | | |
| Sleeve with nib | | | | | | |
| B1 | 7 | 17 | 5.8 | 6 | 10 | Pressed |
| B2 | 7 | 23 | 6.3 | 11 | 9 | Pressed |
| End cap | | | | | | |
| C1 | 7 | 10.5 | 8 | | | Pressed |
| Adjustment screw 1 nut | | | | | | |
| D1 | 7 | 30 | M6 | 21 | | Turning |
| D2 | 7 | 40 | M8 | 28 | | Turning |
| Adjustment screw 2 nuts | | | | | | |
| RG1 | 7 | 40 | M6 | 30 | | Turning |
| RG2 | 7 | 40 | M8 | 28 | | Turning |
| Adjustment screw 2 nuts | | | | | | |
| RP1 | 7 | 40 | M6 | 30 | | Pressato |
| RP2 | 7 | 40 | M8 | 28 | | Pressato |

Wire options

| Ref. | Wire Ø | A | B | C | D |
|---------------------|--------|-----------------------------|------|------|---|
| Wire | | | | | |
| E1 | 1.9 | (Only electro-welded end) | | | |
| E2 | 2.5 | (Only electro-welded end) | | | |
| Fork | | | | | |
| F1 | 1.9 | 30 | 6 | 12 | 6 |
| F2 | 1.9 | 38 | 6 | 24 | 6 |
| F3 | 2.5 | 30 | 6 | 12 | 6 |
| F4 | 2.5 | 38 | 6 | 24 | 6 |
| F5 | 2.5 | 34 | 8 | 16 | 8 |
| Spring | | | | | |
| M1 | 1.9 | 46 | 2.2 | 12 | |
| M2 | 1.9 | 55 | 3 | 15 | |
| M3 | 2.5 | 57 | 3.5 | 16 | |
| Loop | | | | | |
| O1 | 1.9 | 23 | 5.2 | 10.6 | |
| O2 | 1.9 | 23 | 6.2 | 10.6 | |
| O3 | 1.9 | 31 | 6.2 | 12 | |
| O4 | 1.9 | 32 | 8.3 | 16 | |
| O5 | 1.9 | 32 | 10.2 | 16 | |
| O6 | 2.5 | 31 | 6.2 | 12 | |
| O7 | 2.5 | 32 | 8.3 | 16 | |
| O8 | 2.5 | 32 | 10.2 | 16 | |
| Threaded pin | | | | | |
| P1 | 1.9 | 44 | M6 | 20 | |
| P2 | 1.9 | 74 | M6 | 46 | |
| P3 | 2.5 | 44 | M6 | 20 | |
| P4 | 2.5 | 74 | M6 | 46 | |
| P5 | 2.5 | 49 | M8 | 25 | |



MECHANICAL PEDALS ORDER FORM FOR COMPATIBLE CABLES MODELS PV 100S - PV 100D

To order:

The technical options that are represented on the opposite page are the standard personalizations which are provided from the company.

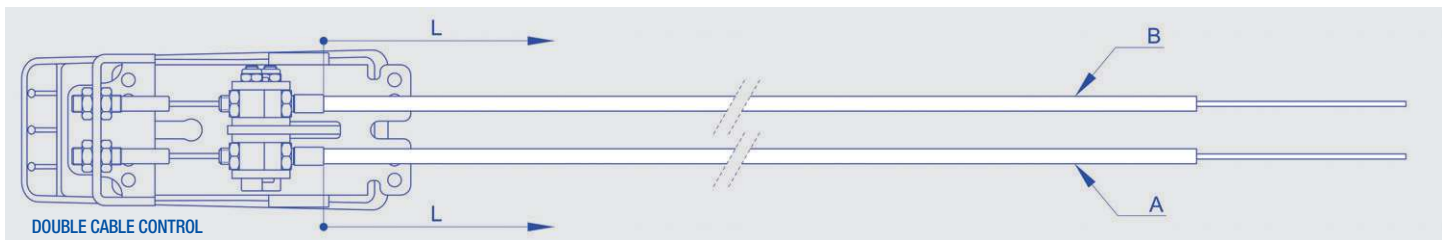
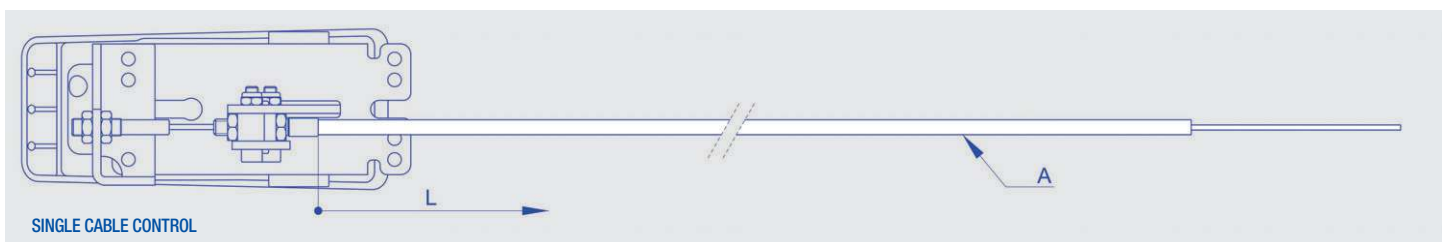
Among these possibilities, you can choose the cable construction that meets your requirements.

Find out your preferences and fill in the boxes with the number or the letters/number corresponding to your options.

Example: if you choose a M6 pressed adjustment screw as terminal, indicate the code 09.

And so on for other variables.

The same procedure must be used to choose the wire: start choosing the diameter and then select the corresponding options.



To order: compose, please, your product code inserting the boldfaced code corresponding to the chosen option in the proper square.

| | | | | |
|----------------|--|--|--|--|
| Cable A | | | | |
| Cable B | | | | |

Sheath length (L) in mm: _____
 Wire protrusion length (S) in mm: _____

- Sheath (only cut) G1: **01**
- Sleeve with nib B1: **02**
- Sleeve with nib B2: **03**
- End cap C1: **04**
- Adjustment screw 1 nut D1: **05**
- Adjustment screw 1 nut D2: **06**
- Turning adjustment screw 2 nuts RG1: **07**
- Turning adjustment screw 2 nuts RG2: **08**
- Pressed adjustment screw 2 nuts RP1: **09**
- Pressed adjustment screw 2 nuts RP2: **10**

- Only electro-welded wire Ø 1,9 mm without terminal E1: **11**
- Only electro-welded wire Ø 2,5 mm without terminal E2: **12**
- Fork F1: **13**
- Fork F2: **14**
- Fork F3: **15**
- Fork F4: **16**
- Fork F5: **17**
- Spring M1: **18**
- Spring M2: **19**
- Spring M3: **20**
- Loop O1: **21**
- Loop O2: **22**
- Loop O3: **23**
- Loop O4: **24**
- Loop O5: **25**
- Loop O6: **26**
- Loop O7: **27**
- Loop O8: **28**
- Threaded pin P1: **29**
- Threaded pin P2: **30**
- Threaded pin P3: **31**
- Threaded pin P4: **32**
- Threaded pin P5: **33**

L = start point for sheath length. Other cables typologies are available upon request.