



MECHANICAL PEDALS WITH DOUBLE CABLE AND ORDER FORM MODEL PV 100D

Characteristics:

Pedal typology: direct acting with cable linear stroke 24 mm or acting with locking to be inserted automatically with cable linear stroke 21 mm (in locking position)

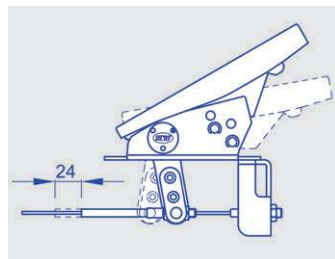
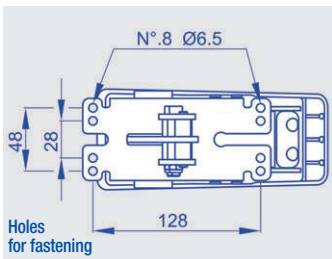
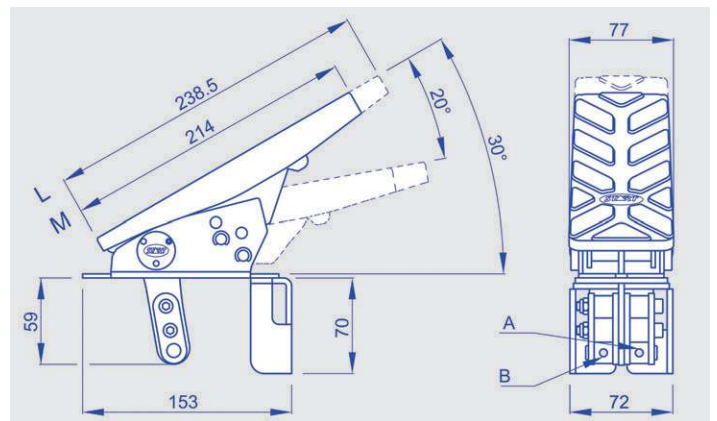
Assembly: floor assembly Fastening type: with screws

Opening angle: 30° Operative angle: 20°

Footrest length: medium or long

Footrest material and colour: black nylon Pedal arm and support base material: metal

Support surface finish: black cataphoresis Cables outlet: backwards



To order: compose, please, your product code inserting the boldfaced code corresponding to the chosen option in the proper square.

PV 100D

Direct acting with stroke mm 24: **D**

Acting with locking with stroke mm 21: **S**

Medium footrest length: **M**

Long footrest length: **L**



MECHANICAL PEDALS COMPATIBLE CABLES MODELS PV 100S - PV 100D

Characteristics:

Sheath diameter: Ø7 mm with inner antifriction tube
 Sheath length: upon request
 Wire diameter: Ø1,9 mm or Ø2,5 mm
 Wire protrusion length: upon request
 Sheath terminals: see table
 Wire terminals: see table

Sheath options

Wire options

Ref.	Sheath Ø	A	B	C	D	Terminal
Sheath						
G1	7	(Only cut end)				
Sleeve with nib						
B1	7	17	5.8	6	10	Pressed
B2	7	23	6.3	11	9	Pressed
End cap						
C1	7	10.5	8			Pressed
Adjustment screw 1 nut						
D1	7	30	M6	21		Turning
D2	7	40	M8	28		Turning
Adjustment screw 2 nuts						
RG1	7	40	M6	30		Turning
RG2	7	40	M8	28		Turning
Adjustment screw 2 nuts						
RP1	7	40	M6	30		Pressato
RP2	7	40	M8	28		Pressato

Ref.	Wire Ø	A	B	C	D
Wire					
E1	1.9	(Only electro-welded end)			
E2	2.5	(Only electro-welded end)			
Fork					
F1	1.9	30	6	12	6
F2	1.9	38	6	24	6
F3	2.5	30	6	12	6
F4	2.5	38	6	24	6
F5	2.5	34	8	16	8
Spring					
M1	1.9	46	2.2	12	
M2	1.9	55	3	15	
M3	2.5	57	3.5	16	
Loop					
O1	1.9	23	5.2	10.6	
O2	1.9	23	6.2	10.6	
O3	1.9	31	6.2	12	
O4	1.9	32	8.3	16	
O5	1.9	32	10.2	16	
O6	2.5	31	6.2	12	
O7	2.5	32	8.3	16	
O8	2.5	32	10.2	16	
Threaded pin					
P1	1.9	44	M6	20	
P2	1.9	74	M6	46	
P3	2.5	44	M6	20	
P4	2.5	74	M6	46	
P5	2.5	49	M8	25	

L = Sheath length S = Protrusion with assembled lever in resting position



MECHANICAL PEDALS ORDER FORM FOR COMPATIBLE CABLES MODELS PV 100S - PV 100D

To order:

The technical options that are represented on the opposite page are the standard personalizations which are provided from the company.

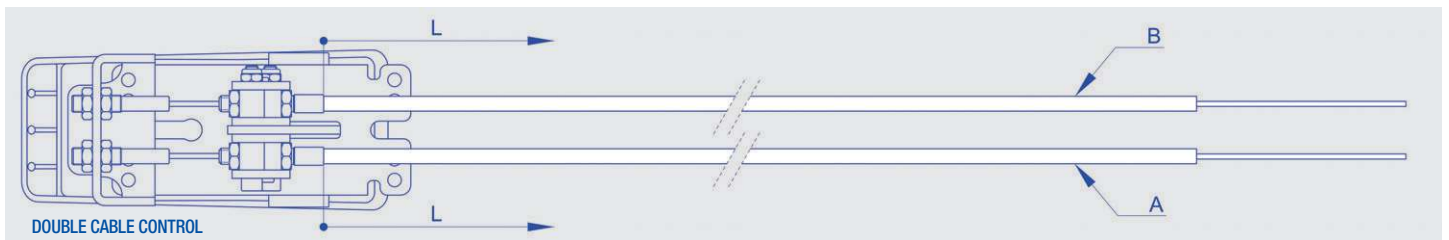
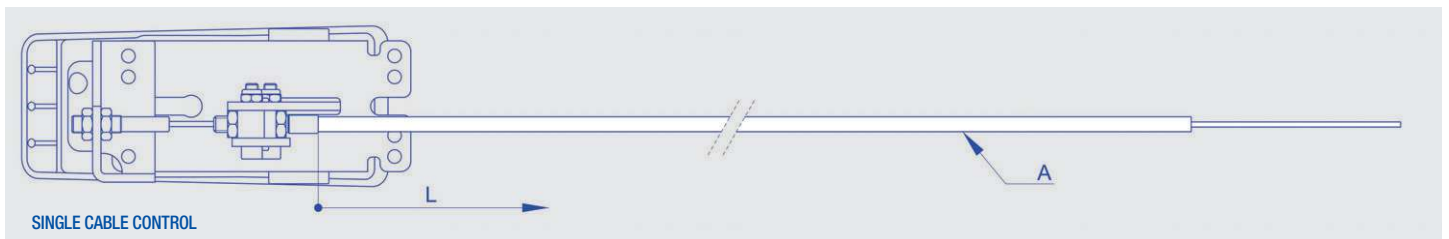
Among these possibilities, you can choose the cable construction that meets your requirements.

Find out your preferences and fill in the boxes with the number or the letters/number corresponding to your options.

Example: if you choose a M6 pressed adjustment screw as terminal, indicate the code 09.

And so on for other variables.

The same procedure must be used to choose the wire: start choosing the diameter and then select the corresponding options.



To order: compose, please, your product code inserting the boldfaced code corresponding to the chosen option in the proper square.

Cable A				
Cable B				

Sheath length (L) in mm: _____

Wire protrusion length (S) in mm: _____

Sheath (only cut) G1: **01**

Sleeve with nib B1: **02**

Sleeve with nib B2: **03**

End cap C1: **04**

Adjustment screw 1 nut D1: **05**

Adjustment screw 1 nut D2: **06**

Turning adjustment screw 2 nuts RG1: **07**

Turning adjustment screw 2 nuts RG2: **08**

Pressed adjustment screw 2 nuts RP1: **09**

Pressed adjustment screw 2 nuts RP2: **10**

Only electro-welded wire Ø 1,9 mm without terminal E1: **11**

Only electro-welded wire Ø 2,5 mm without terminal E2: **12**

Fork F1: **13**

Fork F2: **14**

Fork F3: **15**

Fork F4: **16**

Fork F5: **17**

Spring M1: **18**

Spring M2: **19**

Spring M3: **20**

Loop O1: **21**

Loop O2: **22**

Loop O3: **23**

Loop O4: **24**

Loop O5: **25**

Loop O6: **26**

Loop O7: **27**

Loop O8: **28**

Threaded pin P1: **29**

Threaded pin P2: **30**

Threaded pin P3: **31**

Threaded pin P4: **32**

Threaded pin P5: **33**

L = start point for sheath length. Other cables typologies are available upon request.