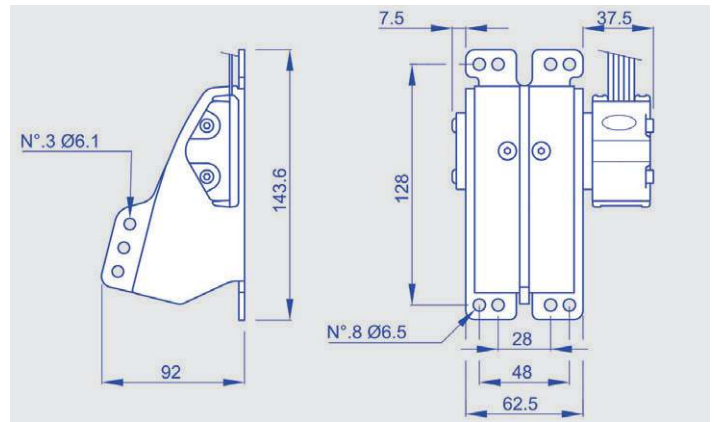




ELECTRONIC DEVICES MECHANICAL COMPONENT WITH BASIS FOR PEDAL FUNCTION AND ORDER FORM MODEL PR 100P

Characteristics:

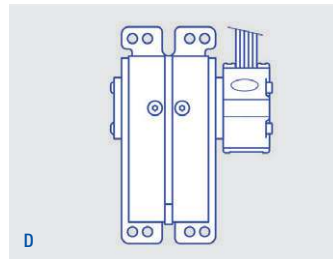
- Assembly: wall-mounted
- Fastening type: with M6 screws
- Operative angle: 20°
- Pedal return: double redundancy spring
- Pedal insertion and support material: metal
- Support superficial treatment: white zinc plated or black cataphoresis
- Sensor assembly: on the right or on the left



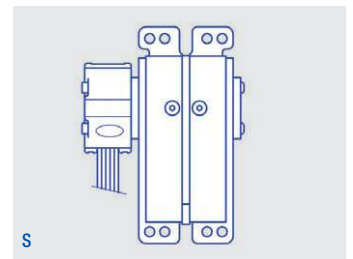
Z



N



D



S

To order: compose, please, your product code inserting the boldfaced code corresponding to the chosen option in the proper square.

PR 100P		
---------	--	--

White zinc plated support: **Z**
Support in black cataphoresis: **N**

Sensor assembly on the right: **D**
Sensor assembly on the left: **S**

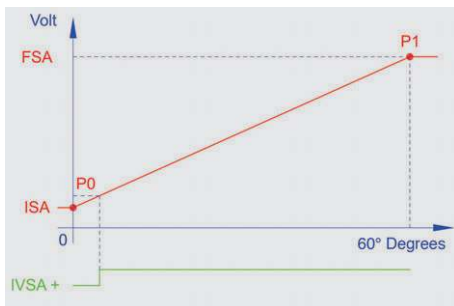


ELECTRONIC DEVICES PREVALENT SOFTWARE COMPONENT AND ORDER FORM MODEL PR 100P

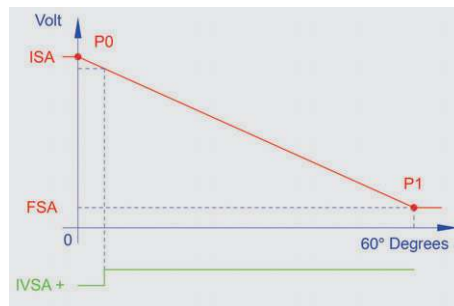
Main characteristics:

- Angle signal output: analog
- Beginning scale angle signal (IS): 0,2→4,9 Vdc
- Full-scale angle signal (FS): 0,2→4,9 Vdc
- Digital signal polarity (IVS validation): positive or negative

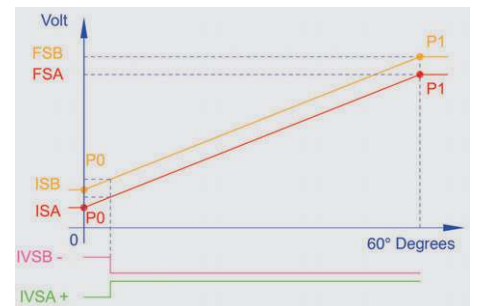
N.B. The below described software are examples extrapolated from a much broader generality.
The performances can therefore be modified. For specific and different needs Start s.r.l. is at disposal.



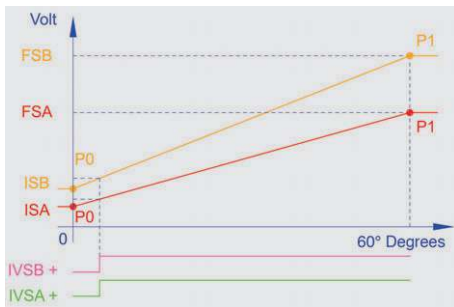
AF1: Analog output, positive IVSA, STL1D sensor



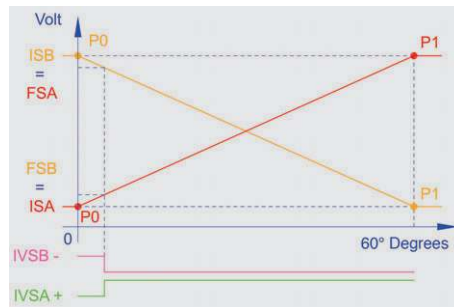
AF2: Analog output, positive IVSA, STL1D sensor



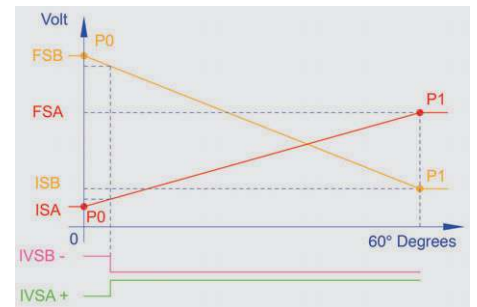
AF3: Two parallel analog outputs, positive IVSA and negative IVSB, STL1 DUAL sensor



AF4: Two discordant analog outputs, positive IVSA and positive IVSB, STL1 DUAL sensor



AF5: Two crossed analog outputs, positive IVSA and negative IVSB, with ISA=FSB and FSA=ISB values, STL1 DUAL sensor



AF6: Two crossed analog outputs, positive IVSA and negative IVSB, STL1 DUAL sensor

To order: compose, please, your product code inserting the boldfaced code corresponding to the chosen option in the proper square.

AF									
-----------	--	--	--	--	--	--	--	--	--

- Software AF1: **1**
- Software AF2: **2**
- Software AF3: **3**
- Software AF4: **4**
- Software AF5: **5**
- Software AF6: **6**

ISA beginning scale signal from: **0,2** to **4,9** Vdc

FSA full-scale signal from: **0,2** to **4,9** Vdc

IVSA signal positive polarity: **P**
IVSA signal negative polarity: **N**

IVSB signal positive polarity (only for AF3, AF4, AF5, AF6): **P**
IVSB signal negative polarity (only for AF3, AF4, AF5, AF6): **N**

FSB full-scale signal (only for AF3, AF4, AF5, AF6) from: **0,2** to **4,9** Vdc

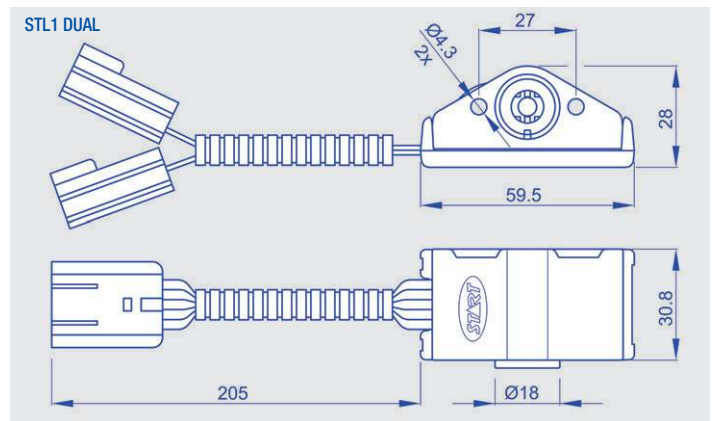
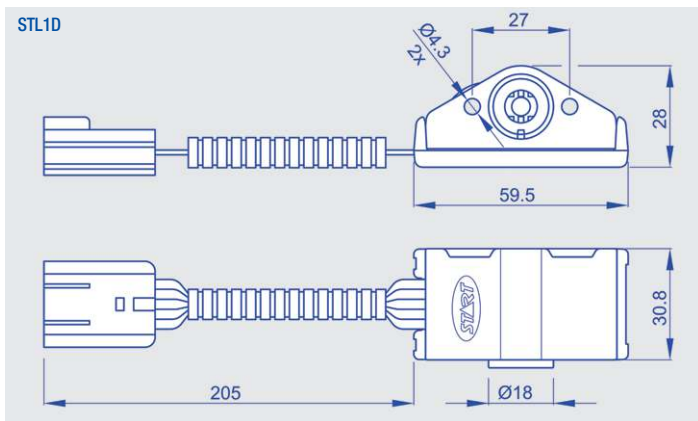
ISB beginning scale signal (only for AF3, AF4, AF5, AF6) from: **0,2** to **4,9** Vdc



ELECTRONIC DEVICES HARDWARE COMPONENT AND ORDER FORM MODEL PR 100P

Main characteristics:

Power input: 5 Vdc or 8→36 Vdc (only STL1D)
Consumption: 20 mA typ (STL1D) and 40 mA typ (STL1 DUAL)
Protection: silicone filler or coating
Connector: Delphi 10 pole or free cables



To order: compose, please, your product code inserting the boldfaced code corresponding to the chosen option in the proper square.

SENSOR

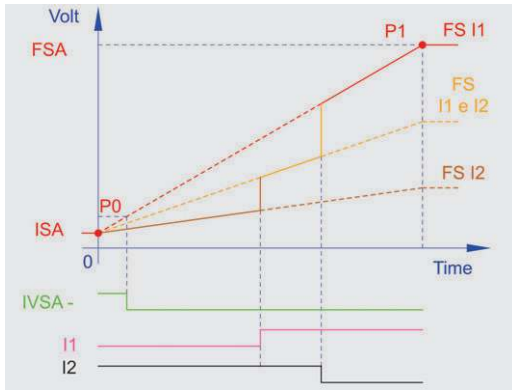
Power input 5 Vdc: **5**
Power input 8→36 Vdc (only STL1D): **8**

Protection with silicone filler: **R**
Protection with coating: **C**

Connector Delphi 10 pole: **D**
Free cables: **L**

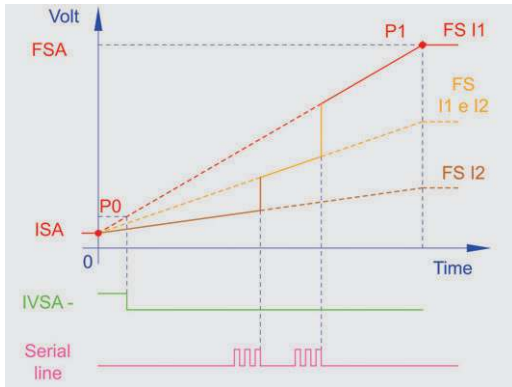


ELECTRONIC DEVICES APPLICATIONS EXAMPLES WITH SENSOR STL2D-HP MODEL PR 100P



VARIATION OF THE MAXIMUM SPEED

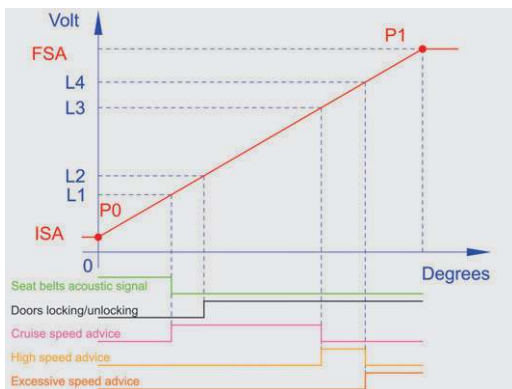
For reasons of practicality and safety, the maximum achievable speed by a vehicle may need to be changed during the operation. It is the case of the reverse gear, or of difficult manoeuvres. In the beside graphic, some digital input signals of the STL2D-HP are used in this regard, to change the maximum speed of the vehicle.



VARIATION OF THE FULL-SCALE VALUE

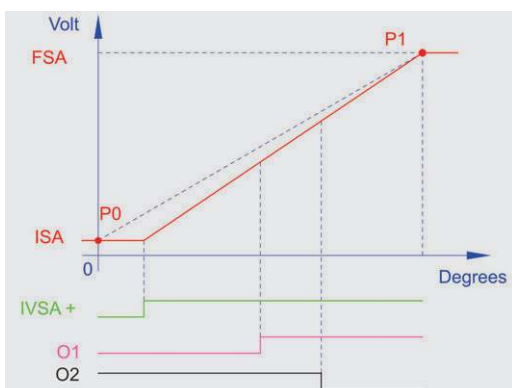
As described above, the maximum achievable speed by a vehicle may need to be changed, for example in case of reverse gear or of difficult manoeuvres. In the beside graphic the STL2D-HP available serial line is used to receive a command of full-scale (FS) change.

NOTE: The serial line, used here for a rather simple function, has a much more general and flexible use than the digital signals and can turn the accelerator into a device rich in functionality, which can satisfy the customer's different exigences.



ACTIVATIONS OF SIGNALS RELATED TO THE SPEED

In the beside graphic an example of an accelerator is represented which is equipped with accessory signals that are activated on the basis of the vehicle speed. The signals are designed to increase the passengers' safety. Corresponding to set speed levels, some signals are activated and, in case of not fastened seat belts, they draw the passengers' attention with an acoustic signal, the doors are locked/unlocked, you are warned if the speed is in the safety range or if it is excessive and similar.



VARIATION OF THE VALIDATION MANAGEMENT

In the beside graphic a variant of the validation (IVS) management is represented. In this case the output remains at the beginning scale value until the IVS triggers. In this way you eliminate the "jump" in the signal trajectory, which here is visible in the blue sketched trajectory. Of course this different modality DOES NOT involve a faithful proportionality between the output signal and the angular position, but it involves an entity slippage that depends on the IVS value and that is variable during the trajectory, until it vanishes at FS. A system piloted by a sensor, programmed in this way, could evidently ignore the IVS signal, because the output is insensitive to the lever/pedal movement until the IVS planned value is reached, so that this modality can be called "implicit IVS".