



DOUBLE MECHANICAL LEVERS WITH DIRECT ACTING OR WITH SAFETY BLOCK OR WITH LOCKING AND ORDER FORM MODEL LA 200D

Characteristics:

Lever typology:

direct acting with linear stroke: 18 - 21 - 25 - 28,5 mm or

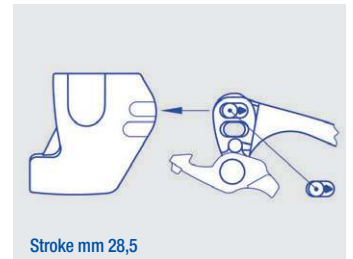
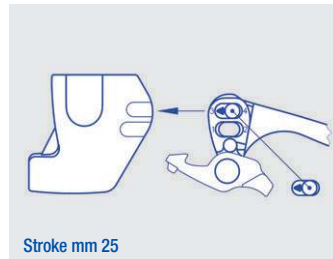
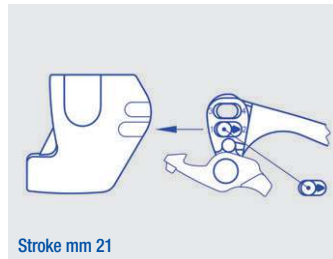
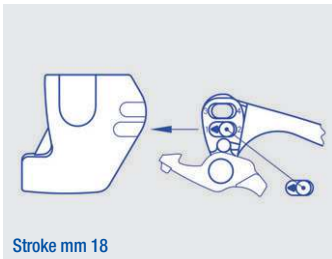
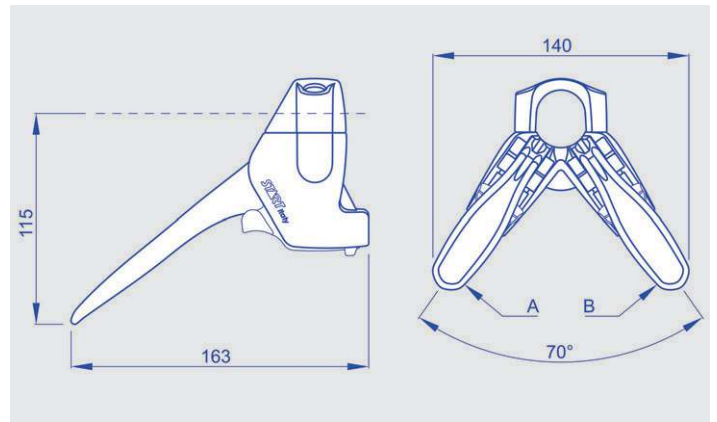
direct acting with linear stroke 18 - 21 - 25 - 28,5 mm with locking to be inserted manually at 16 mm or

direct acting with linear stroke 18 - 21 - 25 - 28,5 mm with locking to be inserted automatically at 16 mm or

direct acting with linear stroke 18 - 21 - 25 - 28,5 mm with initial safety block (release + movement, it prevents accidental operations)

Assembly: on tubes Fastening type: nylon collar

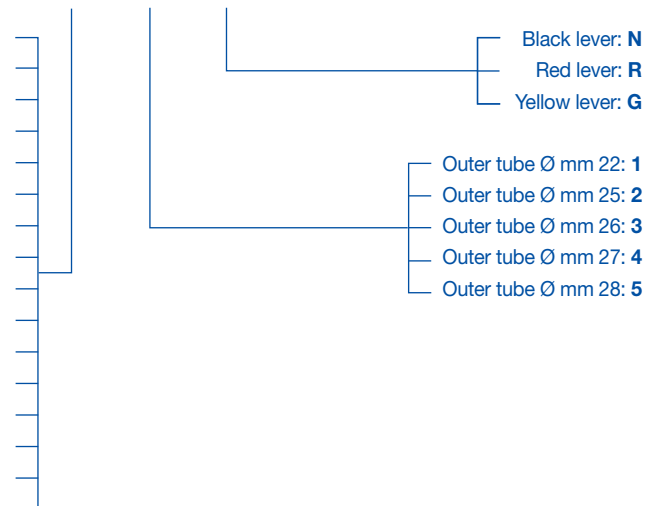
Tube outer diameter: 22 mm - 25 mm - 26 mm - 27 mm - 28 mm Material: nylon Lever colour: black - red - yellow Holder colour: black



To order: compose, please, your product code inserting the boldfaced code corresponding to the chosen option in the proper square.

LA 200D	Lever A			
	Lever B			

- Direct acting with linear stroke mm 18: **D1**
- Direct acting with linear stroke mm 21: **D2**
- Direct acting with linear stroke mm 25: **D3**
- Direct acting with linear stroke mm 28,5: **D4**
- Direct acting with linear stroke mm 18 with locking to be inserted manually at mm 16: **M1**
- Direct acting with linear stroke mm 21 with locking to be inserted manually at mm 16: **M2**
- Direct acting with linear stroke mm 25 with locking to be inserted manually at mm 16: **M3**
- Direct acting with linear stroke mm 28,5 with locking to be inserted manually at mm 16: **M4**
- Direct acting with linear stroke mm 18 with locking to be inserted automatically at mm 16: **A1**
- Direct acting with linear stroke mm 21 with locking to be inserted automatically at mm 16: **A2**
- Direct acting with linear stroke mm 25 with locking to be inserted automatically at mm 16: **A3**
- Direct acting with linear stroke mm 28,5 with locking to be inserted automatically at mm 16: **A4**
- Direct acting with linear stroke mm 18 with initial safety block: **B1**
- Direct acting with linear stroke mm 21 with initial safety block: **B2**
- Direct acting with linear stroke mm 25 with initial safety block: **B3**
- Direct acting with linear stroke mm 28,5 with initial safety block: **B4**



Note: The linear stroke in direct acting is changeable in action.

Safety block: the lever must be operated voluntarily, through two distinct movements: the operation, therefore, must be wanted, preventing accidental operations.



DOUBLE MECHANICAL LEVERS COMPATIBLE CABLES

MODELS LA 100D - LA 150D - LA 200D - LV 26D

Characteristics:

Sheath diameter: Ø6 mm or Ø7 mm with inner antifriction tube
 Sheath length: upon request
 Wire diameter: Ø1,9 mm or Ø2,5 mm
 Wire protrusion length: upon request
 Sheath terminals: see table
 Wire terminals: see table

Sheath options

Wire options

Ref.	Sheath Ø	A	B	C	D	Terminal	
Sheath							
G1	6	(Only cut end)					
G2	7	(Only cut end)					
Sleeve with nib							
B1	6	20	5.9	7	8	Pressed	
B2	6	23	6.3	11	9	Pressed	
B3	7	17	5.8	6	10	Pressed	
B4	7	23	6.3	11	9	Pressed	
End cap							
C1	6	10	7			Pressed	
C2	7	10.5	8			Pressed	
Adjustment screw 1 nut							
D1	6	30	M6	21		Turning	
D2	6	40	M8	28		Turning	
D3	7	30	M6	21		Turning	
D4	7	40	M8	28		Turning	
Adjustment screw 2 nuts							
RG1	6	40	M6	30		Turning	
RG2	6	40	M8	28		Turning	
RG3	7	40	M6	30		Turning	
RG4	7	40	M8	28		Turning	
Adjustment screw 2 nuts							
RP1	6	40	M6	30		Pressed	
RP2	6	40	M8	28		Pressed	
RP3	7	40	M6	30		Pressed	
RP4	7	40	M8	28		Pressed	

Ref.	Wire Ø	A	B	C	D
Wire					
E1	1.9	(Only electro-welded end)			
E2	2.5	(Only electro-welded end)			
Fork					
F1	1.9	30	6	12	6
F2	1.9	38	6	24	6
F3	2.5	30	6	12	6
F4	2.5	38	6	24	6
F5	2.5	34	8	16	8
Spring					
M1	1.9	46	2.2	12	
M2	1.9	55	3	15	
M3	2.5	57	3.5	16	
Loop					
O1	1.9	23	5.2	10.6	
O2	1.9	23	6.2	10.6	
O3	1.9	31	6.2	12	
O4	1.9	32	8.3	16	
O5	1.9	32	10.2	16	
O6	2.5	31	6.2	12	
O7	2.5	32	8.3	16	
O8	2.5	32	10.2	16	
Threaded pin					
P1	1.9	44	M6	20	
P2	1.9	74	M6	46	
P3	2.5	44	M6	20	
P4	2.5	74	M6	46	
P5	2.5	49	M8	25	
Zed bend					
Z1	1.9	26	4	15	14.5

L = Sheath length S = Protrusion with assembled lever in resting position



DOUBLE MECHANICAL LEVERS ORDER FORM FOR COMPATIBLE CABLES MODELS LA 100D - LA 150D - LA 200D - LV 26D

To order:

The technical options that are represented on the opposite page are the standard personalizations which are provided from the company.

Among these possibilities, you can choose the cable construction that meets your requirements.

At first choose the sheath diameter and select the corresponding terminals among the possible options.

Find out your preferences and fill in the boxes with the number or the letters/number corresponding to your options.

Example: if you choose a Ø7 mm sheath and you want a sleeve with nib as terminal, indicate the code 05 or 06, according to your needs.

And so on for other variables.

The same procedure must be used to choose the wire: start choosing the diameter and then select the corresponding options.



To order: compose, please, your product code inserting the boldfaced code corresponding to the chosen option in the proper square.

Cable A					
Cable B					

Sheath length (L) in mm: _____
Wire protrusion length (S) in mm: _____

Sheath Ø 6 mm (only cut) G1: **01**
Sheath Ø 7 mm (only cut) G2: **02**

Sleeve with nib B1: **03**
Sleeve with nib B2: **04**
Sleeve with nib B3: **05**
Sleeve with nib B4: **06**

End cap C1: **07**
End cap C2: **08**

Adjustment screw 1 nut D1: **09**
Adjustment screw 1 nut D2: **10**
Adjustment screw 1 nut D3: **11**
Adjustment screw 1 nut D4: **12**

Turning adjustment screw 2 nuts RG1: **13**
Turning adjustment screw 2 nuts RG2: **14**
Turning adjustment screw 2 nuts RG3: **15**
Turning adjustment screw 2 nuts RG4: **16**

Pressed adjustment screw 2 nuts RP1: **17**
Pressed adjustment screw 2 nuts RP2: **18**
Pressed adjustment screw 2 nuts RP3: **19**
Pressed adjustment screw 2 nuts RP4: **20**

Only electro-welded wire Ø 1,9 mm without terminal E1: **21**
Only electro-welded wire Ø 2,5 mm without terminal E2: **22**

Fork F1: **23**
Fork F2: **24**
Fork F3: **25**
Fork F4: **26**
Fork F5: **27**

Spring M1: **28**
Spring M2: **29**
Spring M3: **30**

Loop O1: **31**
Loop O2: **32**
Loop O3: **33**
Loop O4: **34**
Loop O5: **35**
Loop O6: **36**
Loop O7: **37**
Loop O8: **38**

Threaded pin P1: **39**
Threaded pin P2: **40**
Threaded pin P3: **41**
Threaded pin P4: **42**
Threaded pin P5: **43**

Zed bend Z1: **44**

L = start point for sheath length. Other cables typologies are available upon request.