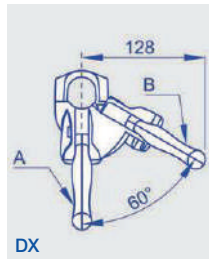
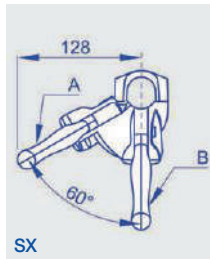
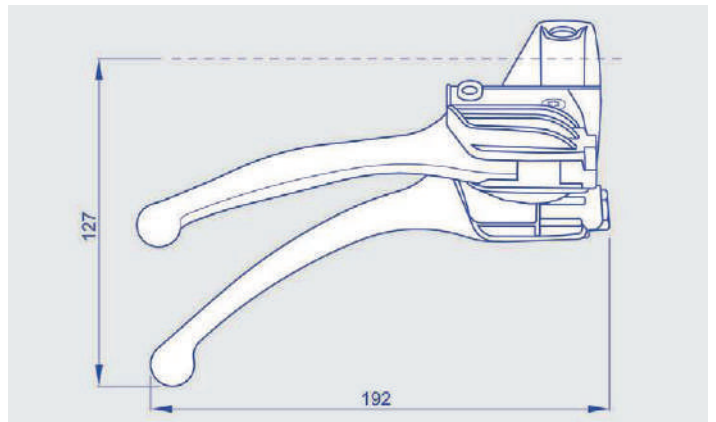




DOUBLE MECHANICAL LEVERS WITH DIRECT ACTING WITH LOCKING AND ORDER FORM MODEL LA 100D

Characteristics:

Lever typology:
 direct acting with linear stroke 17 mm or 25 mm
 acting with locking to be inserted manually with linear stroke 15 mm (in locking position)
 acting with locking to be inserted automatically (only for metal lever) with linear stroke 15 mm (in locking position)
 Lever assembly: on tubes, left or right Fastening type: nylon collar
 Tube outer diameter: 22 mm - 25 mm - 26 mm - 27 mm - 28 mm Lever return: without spring or with spring in stainless steel (only for metal lever)
 Lever material: nylon or metal Nylon colour: black Metal treatment: zinc plated or chromium plated



To order: compose, please, your product code insiring the boldfaced code corresponding to the chosen option in the proper square.

LA 100D	Lever A				
	Lever B				

Direct acting with stroke 17 mm: **D1**
 Direct acting with stroke 25 mm: **D2**
 Acting with locking to be inserted manually with stroke 15 mm: **M**
 Acting with locking to be inserted automatically (only for metal lever) with stroke 15 mm: **A**

Left lever assembly: **SX**
 Right lever assembly: **DX**

Outer tube Ø mm 22: **1**
 Outer tube Ø mm 25: **2**
 Outer tube Ø mm 26: **3**
 Outer tube Ø mm 27: **4**
 Outer tube Ø mm 28: **5**

Nylon lever without return spring: **NS**
 Zinc plated metal lever without return spring: **ZS**
 Zinc plated metal lever with return spring: **ZC**
 Chromium plated metal lever without return spring: **CS**
 Chromium plated metal lever with return spring: **CC**



DOUBLE MECHANICAL LEVERS COMPATIBLE CABLES MODELS LA 100D - LA 150D - LA 200D - LV 26D

Characteristics:

- Sheath diameter: Ø6 mm or Ø7 mm with inner antifriction tube
- Sheath length: upon request
- Wire diameter: Ø1,9 mm or Ø2,5 mm
- Wire protrusion length: upon request
- Sheath terminals: see table
- Wire terminals: see table

Sheath options

Wire options

Ref.	Sheath Ø	A	B	C	D	Terminal
Sheath						
G1	6	(Only cut end)				
G2	7	(Only cut end)				
Sleeve with nib						
B1	6	20	5.9	7	8	Pressed
B2	6	23	6.3	11	9	Pressed
B3	7	17	5.8	6	10	Pressed
B4	7	23	6.3	11	9	Pressed
End cap						
C1	6	10	7			Pressed
C2	7	10.5	8			Pressed
Adjustment screw 1 nut						
D1	6	30	M6	21		Turning
D2	6	40	M8	28		Turning
D3	7	30	M6	21		Turning
D4	7	40	M8	28		Turning
Adjustment screw 2 nuts						
RG1	6	40	M6	30		Turning
RG2	6	40	M8	28		Turning
RG3	7	40	M6	30		Turning
RG4	7	40	M8	28		Turning
Adjustment screw 2 nuts						
RP1	6	40	M6	30		Pressed
RP2	6	40	M8	28		Pressed
RP3	7	40	M6	30		Pressed
RP4	7	40	M8	28		Pressed

Ref.	Wire Ø	A	B	C	D
Wire					
E1	1.9	(Only electro-welded end)			
E2	2.5	(Only electro-welded end)			
Fork					
F1	1.9	30	6	12	6
F2	1.9	38	6	24	6
F3	2.5	30	6	12	6
F4	2.5	38	6	24	6
F5	2.5	34	8	16	8
Spring					
M1	1.9	46	2.2	12	
M2	1.9	55	3	15	
M3	2.5	57	3.5	16	
Loop					
O1	1.9	23	5.2	10.6	
O2	1.9	23	6.2	10.6	
O3	1.9	31	6.2	12	
O4	1.9	32	8.3	16	
O5	1.9	32	10.2	16	
O6	2.5	31	6.2	12	
O7	2.5	32	8.3	16	
O8	2.5	32	10.2	16	
Threaded pin					
P1	1.9	44	M6	20	
P2	1.9	74	M6	46	
P3	2.5	44	M6	20	
P4	2.5	74	M6	46	
P5	2.5	49	M8	25	
Zed bend					
Z1	1.9	26	4	15	14.5



DOUBLE MECHANICAL LEVERS ORDER FORM FOR COMPATIBLE CABLES MODELS LA 100D - LA 150D - LA 200D - LV 26D

To order:

The technical options that are represented on the opposite page are the standard personalizations which are provided from the company.

Among these possibilities, you can choose the cable construction that meets your requirements.

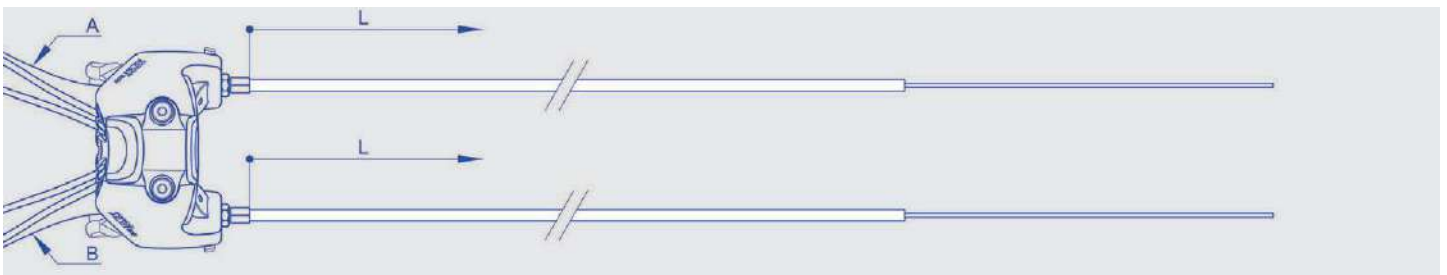
At first choose the sheath diameter and select the corresponding terminals among the possible options.

Find out your preferences and fill in the boxes with the number or the letters/number corresponding to your options.

Example: if you choose a Ø7 mm sheath and you want a sleeve with nib as terminal, indicate the code 05 or 06, according to your needs.

And so on for other variables.

The same procedure must be used to choose the wire: start choosing the diameter and then select the corresponding options.



To order: compose, please, your product code inserting the boldfaced code corresponding to the chosen option in the proper square.

Cable A					
Cable B					

Sheath length (L) in mm: _____
Wire protrusion length (S) in mm: _____

Sheath Ø 6 mm (only cut) G1: **01**
Sheath Ø 7 mm (only cut) G2: **02**

Sleeve with nib B1: **03**
Sleeve with nib B2: **04**
Sleeve with nib B3: **05**
Sleeve with nib B4: **06**

End cap C1: **07**
End cap C2: **08**

Adjustment screw 1 nut D1: **09**
Adjustment screw 1 nut D2: **10**
Adjustment screw 1 nut D3: **11**
Adjustment screw 1 nut D4: **12**

Turning adjustment screw 2 nuts RG1: **13**
Turning adjustment screw 2 nuts RG2: **14**
Turning adjustment screw 2 nuts RG3: **15**
Turning adjustment screw 2 nuts RG4: **16**

Pressed adjustment screw 2 nuts RP1: **17**
Pressed adjustment screw 2 nuts RP2: **18**
Pressed adjustment screw 2 nuts RP3: **19**
Pressed adjustment screw 2 nuts RP4: **20**

Only electro-welded wire Ø 1,9 mm without terminal E1: **21**
Only electro-welded wire Ø 2,5 mm without terminal E2: **22**

Fork F1: **23**
Fork F2: **24**
Fork F3: **25**
Fork F4: **26**
Fork F5: **27**

Spring M1: **28**
Spring M2: **29**
Spring M3: **30**

Loop O1: **31**
Loop O2: **32**
Loop O3: **33**
Loop O4: **34**
Loop O5: **35**
Loop O6: **36**
Loop O7: **37**
Loop O8: **38**

Threaded pin P1: **39**
Threaded pin P2: **40**
Threaded pin P3: **41**
Threaded pin P4: **42**
Threaded pin P5: **43**

Zed bend Z1: **44**

L = start point for sheath length. Other cables typologies are available upon request.