



COMBINABLE ELECTRIC/MECHANICAL LEVERS UPPER ELECTRIC LEVERS (outer tube assembly) AND ORDER FORM MODEL DS 33EL

Characteristics:

Electric contact:

Normally open microswitch: for internal combustion engine (see note)

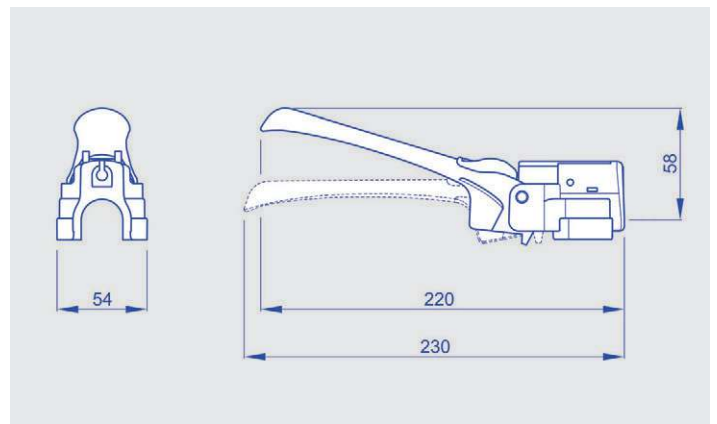
Normally closed microswitch: for electric engine (see note)

Assembly: on tubes Fastening type: screws for coupling with lower lever

Tube outer diameter: 22 mm - 25 mm - 26 mm - 27 mm - 28 mm

Lever typology: pointed or round

Material: nylon Lever colour: red Holder colour: black



To order: compose, please, your product code inserting the boldfaced code corresponding to the chosen option in the proper square.

DS 33EL comb.

"Normally open" microswitch: **1**

"Normally closed" microswitch: **2**

Outer tube Ø mm 22: **3**

Outer tube Ø mm 25: **4**

Outer tube Ø mm 26: **5**

Outer tube Ø mm 27: **6**

Outer tube Ø mm 28: **7**

Pointed lever: **P**

Round lever: **T**

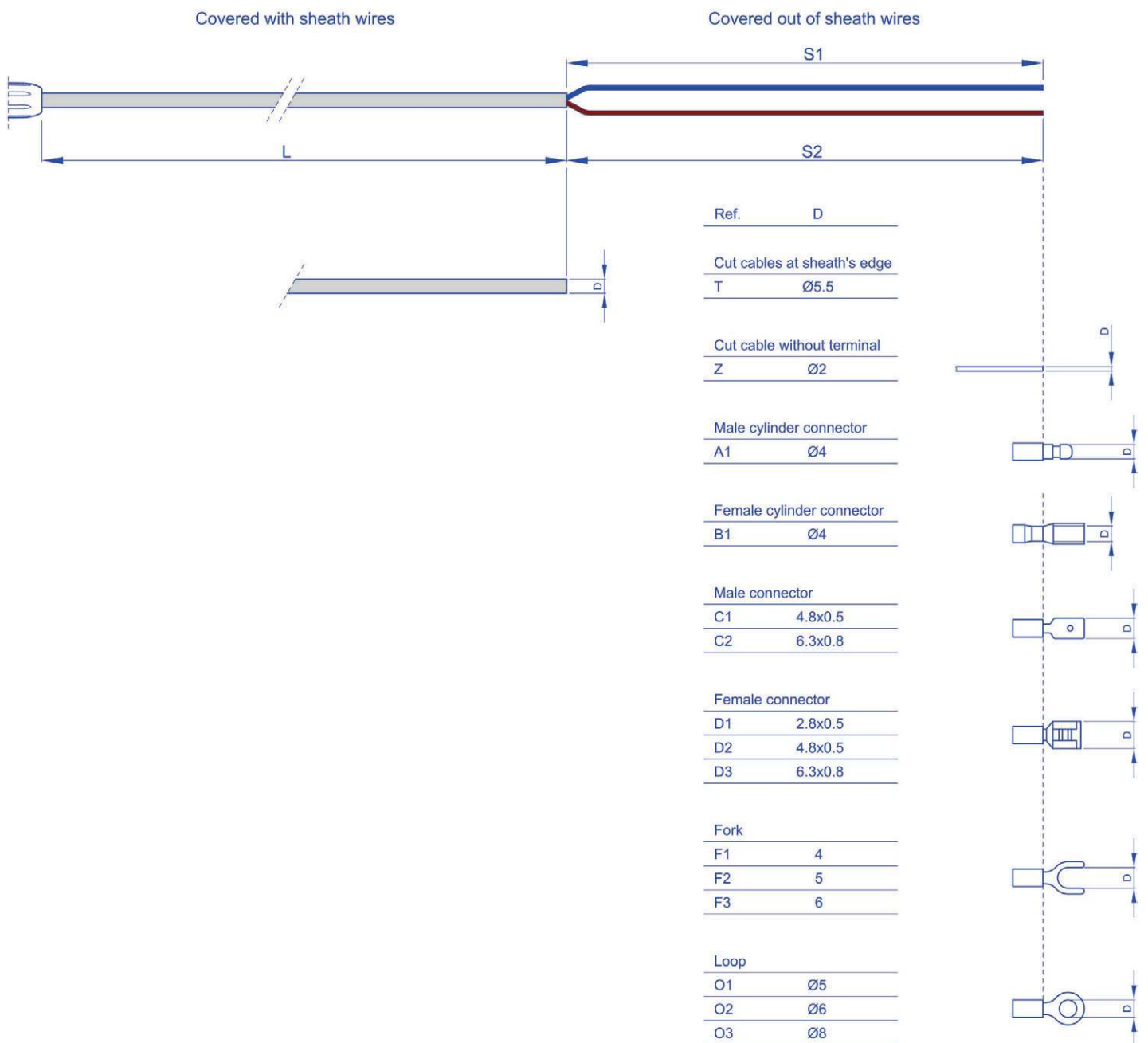
Note: Microswitch = The characteristic of the microswitch "normally open" or "normally closed" is meant with the lever leant on the knob (lowered lever).



COMBINABLE ELECTRIC/MECHANICAL LEVERS COMPATIBLE WITH UPPER LEVER ELECTRIC CABLES MODEL DS 33EL

Characteristics:

- Cable outer diameter: $\text{Ø}5,5$ mm
- Cable length: upon request
- Wires diameter: $\text{Ø}2 \times 0,75$ mm
- Wires stripping length: upon request
- Wires terminals: see table





COMBINABLE ELECTRIC/MECHANICAL LEVERS ORDER FORM FOR COMPATIBLE WITH UPPER LEVER ELECTRIC CABLES MODEL DS 33EL

To order:

The technical options that are represented on the opposite page are the standard personalizations which are provided from the company.

Among these possibilities, you can choose the cable construction that meets your requirements.

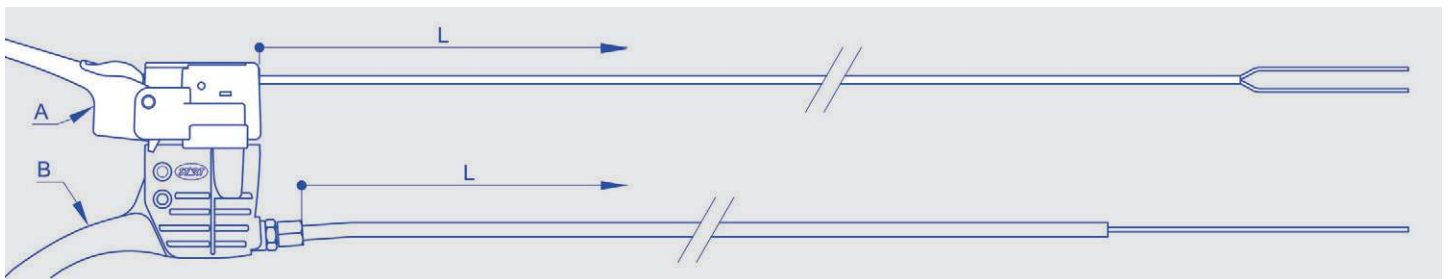
At first choose if you want the covered wire only cut or the stripped wires and eventually select the corresponding terminals among the possible options.

Find out your preferences and fill in the boxes with the number or the letters/number corresponding to your options.

Example: if you choose the stripped wires and you want a loop on the blue wire as terminal, indicate the code 12 or 13 or 14, according to your needs.

And so on for other variables.

The same procedure must be used for the brown wire and then select the corresponding options.



To order: compose, please, your product code inserting the boldfaced code corresponding to the chosen option in the proper square.

Lever A cable	Cut cables at sheath's edge (T)	Brown covered cable			
		Blue covered cable			

Covered with sheath cables length (L) in mm: _____

Covered out of sheath wire Z: **01** _____

Male cylinder connector A1: **02** _____

Female cylinder connector B1: **03** _____

Male connector C1: **04** _____

Male connector C2: **05** _____

Female connector D1: **06** _____

Female connector D2: **07** _____

Female connector D3: **08** _____

Fork F1: **09** _____

Fork F2: **10** _____

Fork F3: **11** _____

Loop O1: **12** _____

Loop O2: **13** _____

Loop O3: **14** _____

Blue out of sheath wire length (S1) in mm: _____

Brown out of sheath wire length (S2) in mm: _____

Covered out of sheath wire Z: **15** _____

Male cylinder connector A1: **16** _____

Female cylinder connector B1: **17** _____

Male connector C1: **18** _____

Male connector C2: **19** _____

Female connector D1: **20** _____

Female connector D2: **21** _____

Female connector D3: **22** _____

Fork F1: **23** _____

Fork F2: **24** _____

Fork F3: **25** _____

Loop O1: **26** _____

Loop O2: **27** _____

Loop O3: **28** _____