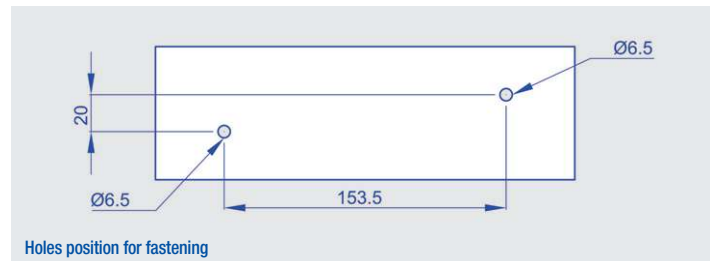
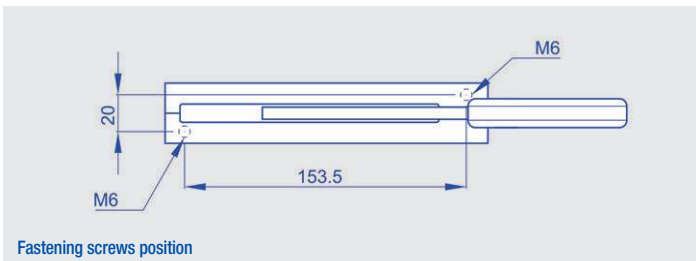
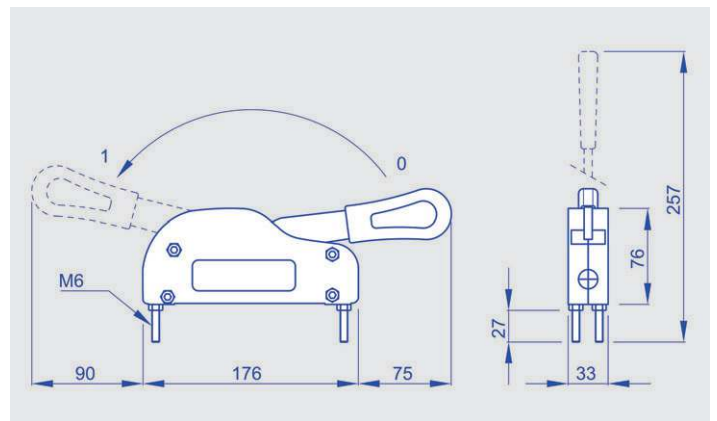




LATERAL MECHANICAL CONTROLS WITH TRACTION AND COMPRESSION ACTING WITH DIRECT ACTING (heavy loads applications - single cable) AND ORDER FORM MODEL DS 19S

Characteristics:

- Linear stroke: 57 mm
- Assembly: on the floor
- Fastening type: with screws
- Functioning: free, not frictioned
- Lever rotation angle: 150° Lever ratio: 7:1
- Lever material: zinc plated steel Casing and knob material: nylon
- Knob colour: red



To order: use, please, the code written in the below square.

DS 19S



LATERAL MECHANICAL CONTROLS COMPATIBLE CABLES MODEL DS 19S

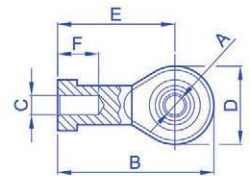
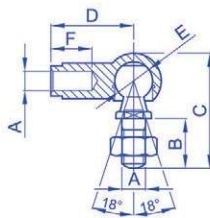
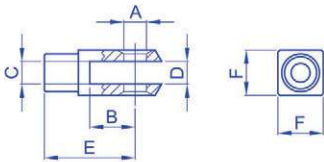
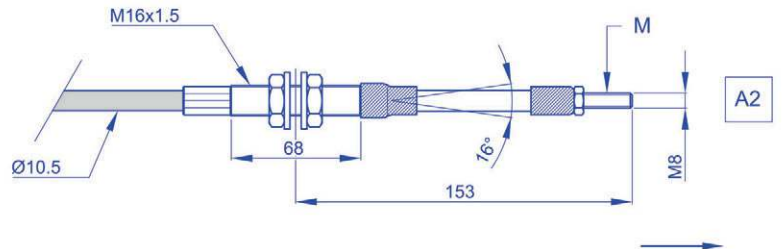
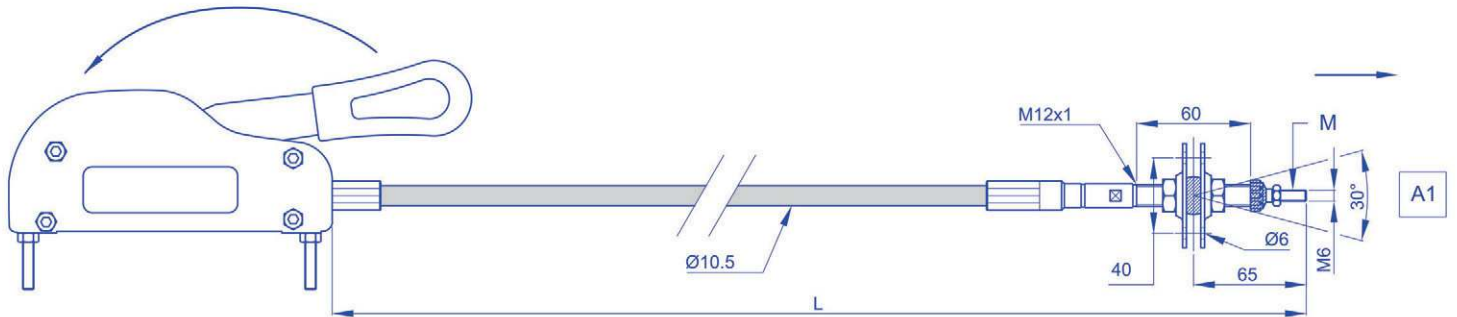
Characteristics:

Cable with sheath $\varnothing 10,5$ mm suitable for push loadings up to 60 kg.

Cable length: upon request

Cable terminals: see table

Cable accessories: see table



Ref.	A	B	C	D	E	F
Fork						
F1	6	12	M6	6	24	12
F2	6	24	M6	6	36	12
F3	8	16	M8	8	32	16
F4	8	32	M6	8	48	16
F5	8	32	M8	8	48	16

Ref.	A	B	C	D	E	F
Angular joint						
S1	M6	12.5	31	25	10	11.5
S2	M8	16.5	39.2	30	13	14

Ref.	A	B	C	D	E	F
Joint head						
T1	6	40	M6	20	30	12
T2	8	48	M8	24	36	16

L = Cable length with rod in start stroke position.



LATERAL MECHANICAL CONTROLS ORDER FORM FOR COMPATIBLE CABLES MODEL DS 19S

To order:

The technical options that are represented on the opposite page are the standard personalizations which are provided from the company.

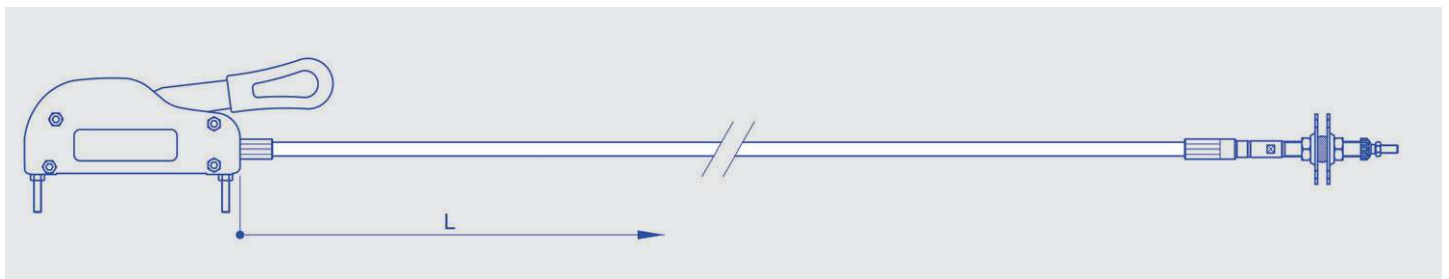
Among these possibilities, you can choose the cable construction that meets your requirements.

At first choose the cable typology and select the corresponding accessories among the possible options.

Find out your preferences and fill in the boxes with the number or the letters/number corresponding to your options.

Example: if you choose a $\varnothing 10,5$ mm cable and you want a fork as accessory, indicate the code 03 or 04, according to your needs.

And so on for other variables.



To order: compose, please, your product code inserting the boldfaced code corresponding to the chosen option in the proper square.

Cable					
-------	--	--	--	--	--

Cable length (L) in mm: _____

Cable $\varnothing 10,5$ mm with jointed sheath and rod A1: **01**

Cable $\varnothing 10,5$ mm with fixed sheath and jointed rod A2: **02**

Fork F1: **03**

Fork F2: **04**

Fork F3: **05**

Fork F4: **06**

Fork F5: **07**

Angular joint S1: **08**

Angular joint S2: **09**

Joint head T1: **10**

Joint head T2: **11**