



## COMBINABLE ELECTRIC/MECHANICAL LOWER DOUBLE LEVERS WITH DIRECT ACTING OR WITH LOCKING AND ORDER FORM COMBINATION DS 01EL / LV 26D

### Characteristics:

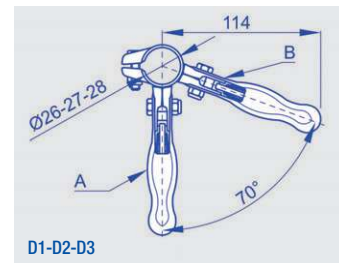
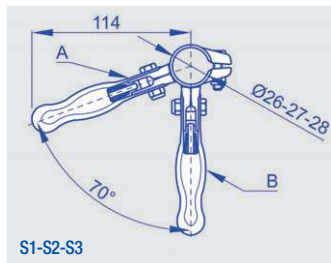
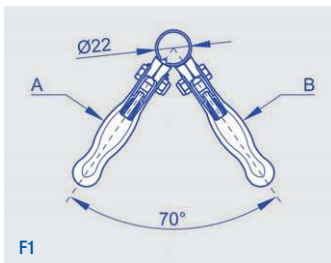
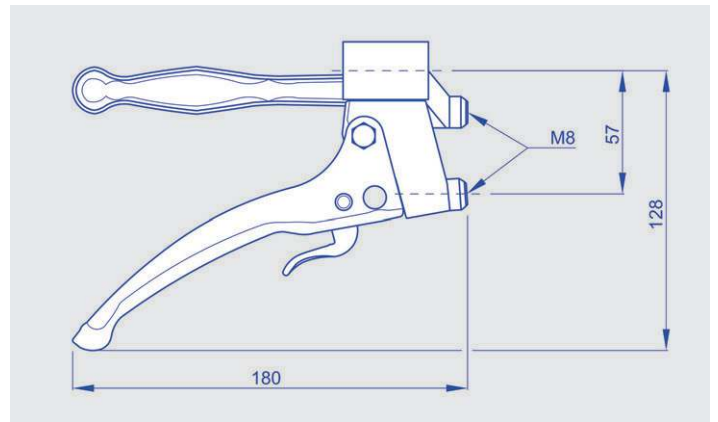
Lever typology:

direct acting with linear stroke 19 mm or  
acting with locking to be inserted manually with linear stroke 17 mm (in locking position) or  
acting with locking to be inserted automatically with linear stroke 17 mm (in locking position)

Assembly: on tubes Fastening type: metal hose clamp for right or left assembly

Tube outer diameter: 22 mm - 26 mm - 27 mm - 28 mm

Lever material: metal Metal treatment: zinc plated



To order: compose, please, your product code inserting the boldfaced code corresponding to the chosen option in the proper square.

LV 26D comb.	Lever A		
	Lever B		

Stroke mm 19 in direct acting: **D**  
 Stroke 17 mm with manual locking trigger: **M**  
 Stroke 17 mm with automatic locking trigger: **A**

Metal hose clamp for outer tube Ø mm 22: **F1**  
 Metal hose clamp for left assembly for outer tube Ø mm 26: **S1**  
 Metal hose clamp for left assembly for outer tube Ø mm 27: **S2**  
 Metal hose clamp for left assembly for outer tube Ø mm 28: **S3**  
 Metal hose clamp for right assembly for outer tube Ø mm 26: **D1**  
 Metal hose clamp for right assembly for outer tube Ø mm 27: **D2**  
 Metal hose clamp for right assembly for outer tube Ø mm 28: **D3**



## COMBINABLE ELECTRIC/MECHANICAL LEVERS COMPATIBLE WITH LOWER LEVER CABLES MODEL LV 26D

### Characteristics:

Sheath diameter: Ø6 mm or Ø7 mm with inner antifriction tube

Sheath length: upon request

Wire diameter: Ø1,9 mm or Ø2,5 mm

Wire protrusion length: upon request

Sheath terminals: see table

Wire terminals: see table

Sheath options

Wire options

Ref.	Sheath Ø	A	B	C	D	Terminal
<b>Sheath</b>						
G1	6	( Only cut end )				
G2	7	( Only cut end )				
<b>Sleeve with nib</b>						
B1	6	20	5.9	7	8	Pressed
B2	6	23	6.3	11	9	Pressed
B3	7	17	5.8	6	10	Pressed
B4	7	23	6.3	11	9	Pressed
<b>End cap</b>						
C1	6	10	7			Pressed
C2	7	10.5	8			Pressed
<b>Adjustment screw 1 nut</b>						
D1	6	30	M6	21		Turning
D2	6	40	M8	28		Turning
D3	7	30	M6	21		Turning
D4	7	40	M8	28		Turning
<b>Adjustment screw 2 nuts</b>						
RG1	6	40	M6	30		Turning
RG2	6	40	M8	28		Turning
RG3	7	40	M6	30		Turning
RG4	7	40	M8	28		Turning
<b>Adjustment screw 2 nuts</b>						
RP1	6	40	M6	30		Pressed
RP2	6	40	M8	28		Pressed
RP3	7	40	M6	30		Pressed
RP4	7	40	M8	28		Pressed

Ref.	Wire Ø	A	B	C	D
<b>Wire</b>					
E1	1.9	( Only electro-welded end )			
E2	2.5	( Only electro-welded end )			
<b>Fork</b>					
F1	1.9	30	6	12	6
F2	1.9	38	6	24	6
F3	2.5	30	6	12	6
F4	2.5	38	6	24	6
F5	2.5	34	8	16	8
<b>Spring</b>					
M1	1.9	46	2.2	12	
M2	1.9	55	3	15	
M3	2.5	57	3.5	16	
<b>Loop</b>					
O1	1.9	23	5.2	10.6	
O2	1.9	23	6.2	10.6	
O3	1.9	31	6.2	12	
O4	1.9	32	8.3	16	
O5	1.9	32	10.2	16	
O6	2.5	31	6.2	12	
O7	2.5	32	8.3	16	
O8	2.5	32	10.2	16	
<b>Threaded pin</b>					
P1	1.9	44	M6	20	
P2	1.9	74	M6	46	
P3	2.5	44	M6	20	
P4	2.5	74	M6	46	
P5	2.5	49	M8	25	
<b>Zed bend</b>					
Z1	1.9	26	4	15	14.5



## COMBINABLE ELECTRIC/MECHANICAL LEVERS ORDER FORM FOR COMPATIBLE WITH LOWER LEVER CABLES MODEL LV 26D

### To order:

The technical options that are represented on the opposite page are the standard personalizations which are provided from the company.

Among these possibilities, you can choose the cable construction that meets your requirements.

At first choose the sheath diameter and select the corresponding terminals among the possible options.

Find out your preferences and fill in the boxes with the number or the letters/number corresponding to your options.

Example: if you choose a Ø7 mm sheath and you want a sleeve with nib as terminal, indicate the code 05 or 06, according to your needs.

And so on for other variables.

The same procedure must be used to choose the wire: start choosing the diameter and then select the corresponding options.



**To order: compose, please, your product code inserting the boldfaced code corresponding to the chosen option in the proper square.**

<b>Cable A</b>					
<b>Cable B</b>					

Sheath length (L) in mm: \_\_\_\_\_

Wire protrusion length (S) in mm: \_\_\_\_\_

Sheath Ø6 mm (only cut) G1: **01**

Sheath Ø7 mm (only cut) G2: **02**

Sleeve with nib B1: **03**

Sleeve with nib B2: **04**

Sleeve with nib B3: **05**

Sleeve with nib B4: **06**

End cap C1: **07**

End cap C2: **08**

Adjustment screw 1 nut D1: **09**

Adjustment screw 1 nut D2: **10**

Adjustment screw 1 nut D3: **11**

Adjustment screw 1 nut D4: **12**

Turning adjustment screw 2 nuts RG1: **13**

Turning adjustment screw 2 nuts RG2: **14**

Turning adjustment screw 2 nuts RG3: **15**

Turning adjustment screw 2 nuts RG4: **16**

Pressed adjustment screw 2 nuts RP1: **17**

Pressed adjustment screw 2 nuts RP2: **18**

Pressed adjustment screw 2 nuts RP3: **19**

Pressed adjustment screw 2 nuts RP4: **20**

Only electro-welded wire Ø1,9 mm without terminal E1: **21**

Only electro-welded wire Ø2,5 mm without terminal E2: **22**

Fork F1: **23**

Fork F2: **24**

Fork F3: **25**

Fork F4: **26**

Fork F5: **27**

Spring M1: **28**

Spring M2: **29**

Spring M3: **30**

Loop O1: **31**

Loop O2: **32**

Loop O3: **33**

Loop O4: **34**

Loop O5: **35**

Loop O6: **36**

Loop O7: **37**

Loop O8: **38**

Threaded pin P1: **39**

Threaded pin P2: **40**

Threaded pin P3: **41**

Threaded pin P4: **42**

Threaded pin P5: **43**

Zed bend Z1: **44**

L = start point for sheath length. Other cables typologies are available upon request.