



COMBINABLE MECHANICAL UPPER LEVERS WITH DIRECT ACTING OR WITH LOCKING (inner tube assembly – single cable) AND ORDER FORM MODEL DS 01

Characteristics:

Linear stroke in direct acting (with standard lever or with long lever): 16 mm

Linear stroke in acting with locking hook (only with standard lever): 14 mm

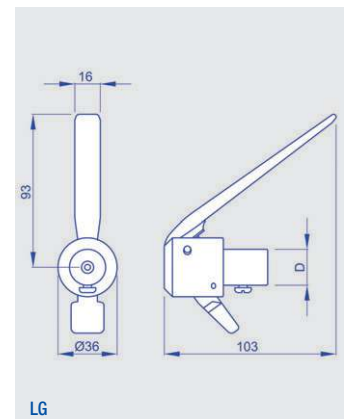
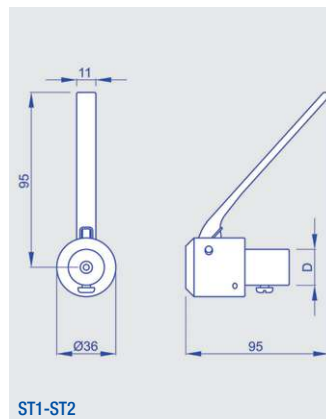
Lever typology: standard or long (see note) Fastening type: with screw Assembly: inside a tube

Holder material: aluminium or nylon Little lever colour: red

Diameter of "D" nib to be inserted inside the tube, with aluminium holder: 18 mm - 20 mm - 21 mm - 21,7 mm - 22 mm - 22,7 mm - 25,8 mm - 28 mm

Diameter of "D" nib to be inserted inside the tube, with nylon holder: 18 mm - 20 mm - 21 mm - 22 mm - 23 mm

Knob for outer tube diameter: 22 mm - 25 mm - 26 mm - 27 mm - 28 mm



A



N



M

To order: compose, please, your product code inserting the boldfaced code corresponding to the chosen option in the proper square.

DS 01 comb.

- Aluminium holder "A" with mm 18 "D" nib: **01**
- Aluminium holder "A" with mm 20 "D" nib: **02**
- Aluminium holder "A" with mm 21 "D" nib: **03**
- Aluminium holder "A" with mm 21,7 "D" nib: **04**
- Aluminium holder "A" with mm 22 "D" nib: **05**
- Aluminium holder "A" with mm 22,7 "D" nib: **06**
- Aluminium holder "A" with mm 25,8 "D" nib: **07**
- Aluminium holder "A" with mm 28 "D" nib: **08**
- Nylon holder "N" with mm 18 "D" nib: **09**
- Nylon holder "N" with mm 20 "D" nib: **10**
- Nylon holder "N" with mm 21 "D" nib: **11**
- Nylon holder "N" with mm 22 "D" nib: **12**
- Nylon holder "N" with mm 23 "D" nib: **13**

- Knob "M" for outer tube diameter mm 22: **14**
- Knob "M" for outer tube diameter mm 25: **15**
- Knob "M" for outer tube diameter mm 26: **16**
- Knob "M" for outer tube diameter mm 27: **17**
- Knob "M" for outer tube diameter mm 28: **18**

Stroke mm 16 in direct acting with standard lever: **ST1**

Stroke mm 16 in direct acting with long lever: **LG**

Stroke mm 14 in acting with locking hook with standard lever: **ST2**

Note: The long lever shape allows, when combined with a lower lever in locking position, to keep the upper lever leant on the tube, avoiding its release.



COMBINABLE MECHANICAL LEVERS COMPATIBLE WITH UPPER LEVER CABLES MODEL DS 01

Characteristics:

Sheath diameter: Ø5 mm or Ø6 mm with inner antifriction tube

Sheath length: upon request

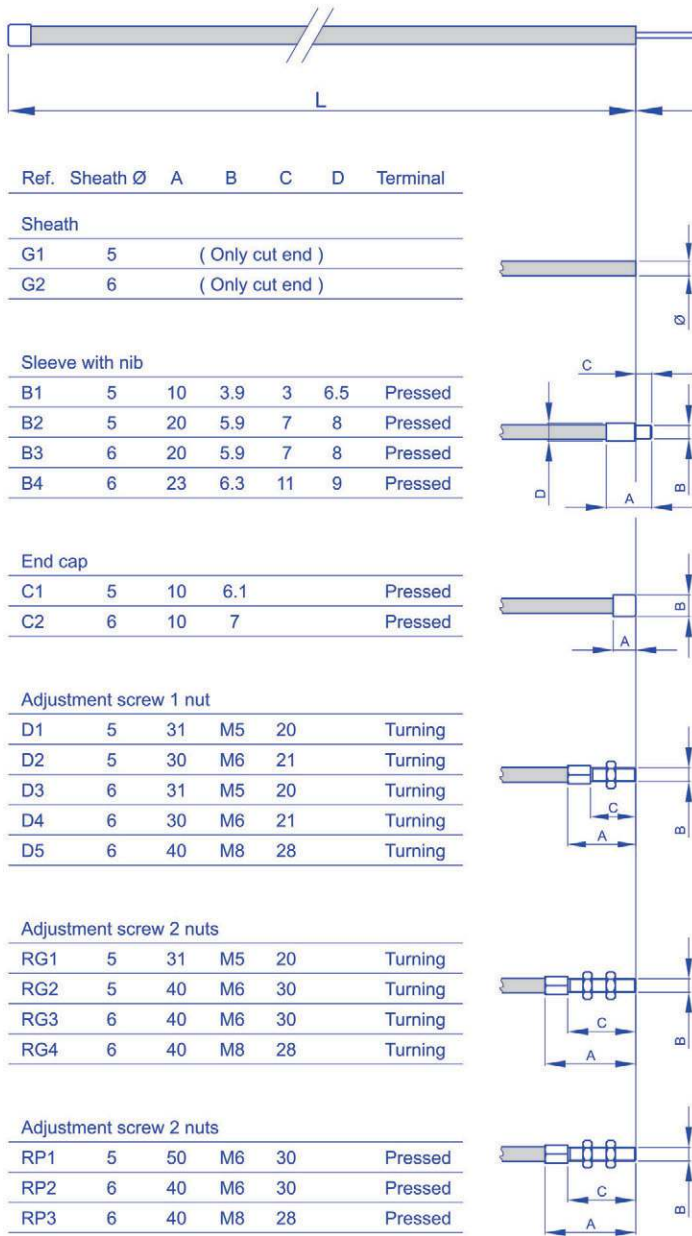
Wire diameter: Ø1,6 mm

Wire protrusion length: upon request

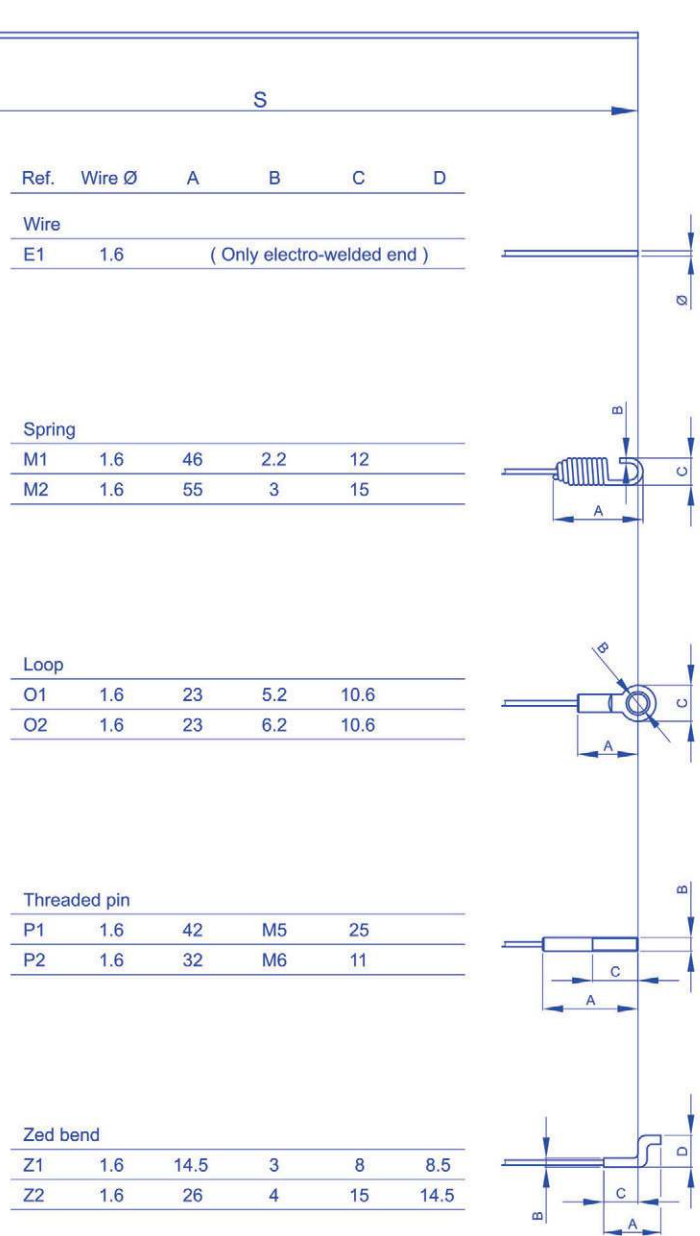
Sheath terminals: see table

Wire terminals: see table

Sheath options



Wire options





COMBINABLE MECHANICAL LEVERS ORDER FORM FOR COMPATIBLE WITH UPPER LEVER CABLES MODEL DS 01

To order:

The technical options that are represented on the opposite page are the standard personalizations which are provided from the company.

Among these possibilities, you can choose the cable construction that meets your requirements.

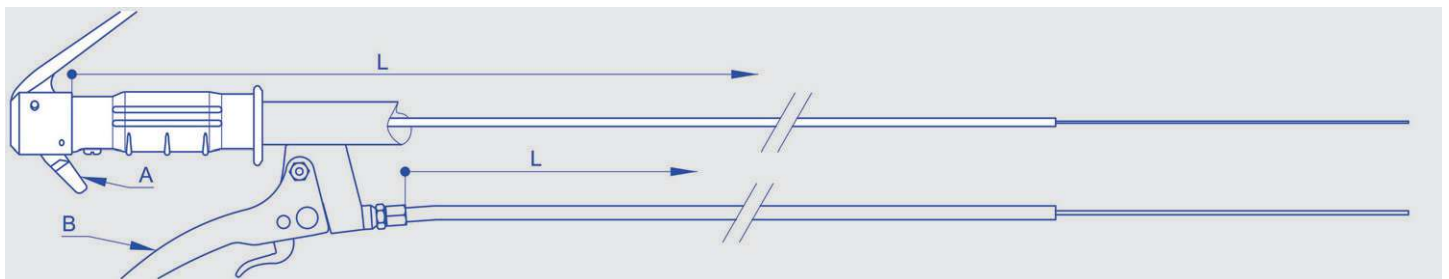
At first choose the sheath diameter and select the corresponding terminals among the possible options.

Find out your preferences and fill in the boxes with the number or the letters/number corresponding to your options.

Example: if you choose a Ø6 mm sheath and you want a sleeve with nib as terminal, indicate the code 05 or 06, according to your needs.

And so on for other variables.

The same procedure must be used to choose the wire: start choosing the diameter and then select the corresponding options.



To order: compose, please, your product code inserting the boldfaced code corresponding to the chosen option in the proper square.

Lever A cable									
---------------	--	--	--	--	--	--	--	--	--

<p>Sheath length (L) in mm: _____</p> <p>Wire protrusion length (S) in mm: _____</p> <p>Sheath Ø5 mm (only cut) G1: 01</p> <p>Sheath Ø6 mm (only cut) G2: 02</p> <p>Sleeve with nib B1: 03</p> <p>Sleeve with nib B2: 04</p> <p>Sleeve with nib B3: 05</p> <p>Sleeve with nib B4: 06</p> <p>End cap C1: 07</p> <p>End cap C2: 08</p> <p>Adjustment screw 1 nut D1: 09</p> <p>Adjustment screw 1 nut D2: 10</p> <p>Adjustment screw 1 nut D3: 11</p> <p>Adjustment screw 1 nut D4: 12</p> <p>Adjustment screw 1 nut D5: 13</p> <p>Turning adjustment screw 2 nuts RG1: 14</p> <p>Turning adjustment screw 2 nuts RG2: 15</p> <p>Turning adjustment screw 2 nuts RG3: 16</p> <p>Turning adjustment screw 2 nuts RG4: 17</p> <p>Pressed adjustment screw 2 nuts RP1: 18</p> <p>Pressed adjustment screw 2 nuts RP2: 19</p> <p>Pressed adjustment screw 2 nuts RP3: 20</p>	<p>Only electro-welded wire Ø1,6 mm without terminal E1: 21</p> <p>Spring M1: 22</p> <p>Spring M2: 23</p> <p>Loop O1: 24</p> <p>Loop O2: 25</p> <p>Threaded pin P1: 26</p> <p>Threaded pin P2: 27</p> <p>Zed bend Z1: 28</p> <p>Zed bend Z2: 29</p>
--	--

L = start point for sheath length. Other cables typologies are available upon request.