



## LATERAL MECHANICAL CONTROLS WITH TRACTION DIRECT ACTING (heavy loads applications - double cable) AND ORDER FORM **MODEL DC 10TD VERSION DC 10TD-A**

### Characteristics:

Versions: free, not frictioned functioning or free, with friction having an adjustable stiffness functioning

Cable linear stroke: 75 mm

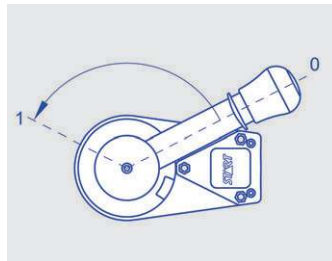
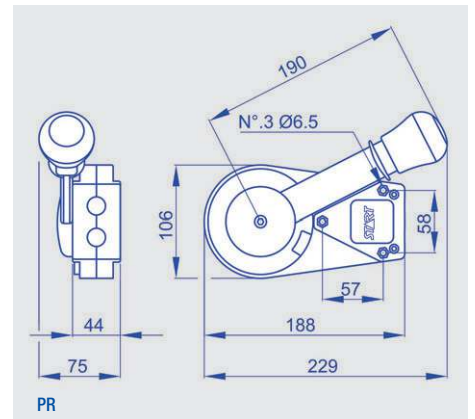
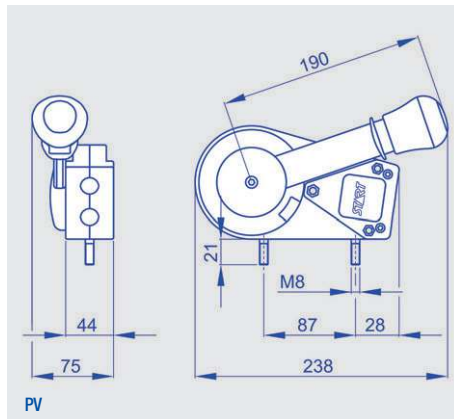
Fastening type: floor fastening or wall fastening

Lever material: steel and nylon

Lever rotation arch: 126° Lever ratio: 6:1

Lever colour: black

Knob colour: black or red



**To order: compose, please, your product code inserting the boldfaced code corresponding to the chosen option in the proper square.**

**DC 10TD-A**

Free, not frictioned functioning: **L**

Free, with friction having an adjustable stiffness functioning: **F**

Floor fastening: **PV**

Wall fastening: **PR**

Black knob: **N**

Red knob: **R**



## LATERAL MECHANICAL CONTROLS COMPATIBLE CABLES MODELS DC 10TD - DC 10RTD

### Characteristics:

Sheath diameter: Ø7 mm or Ø10 mm with inner antifriction tube

Sheath length: upon request

Wire diameter: Ø1,9 mm or Ø2,5 mm or Ø3 mm

Wire protrusion length: upon request

Sheath terminals: see table

Wire terminals: see table

**Sheath options**

**Wire options**

Ref.	Sheath Ø	A	B	C	D	Terminal
<b>Sheath</b>						
G1	7	( Only cut end )				
G2	10	( Only cut end )				
<b>Sleeve with nib</b>						
B1	7	17	5.8	6	10	Pressed
B2	7	23	6.3	11	9	Pressed
B3	10	25	7.9	11	13	Pressed
B4	10	35	10.9	11	15	Pressed
<b>End cap</b>						
C1	7	10.5	8			Pressed
C2	10	16.5	11			Pressed
<b>Adjustment screw 1 nut</b>						
D1	7	30	M6	21		Turning
D2	7	40	M8	28		Turning
D3	10	52	M10	35		Turning
D4	10	61	M12	40		Turning
<b>Adjustment screw 2 nuts</b>						
RG1	7	40	M6	30		Turning
RG2	7	40	M8	28		Turning
RG3	10	52	M10	35		Turning
RG4	10	61	M12	40		Turning
<b>Adjustment screw 2 nuts</b>						
RP1	7	45	M6	30		Pressed
RP2	7	52	M8	35		Pressed
RP3	10	71	M10	50		Pressed

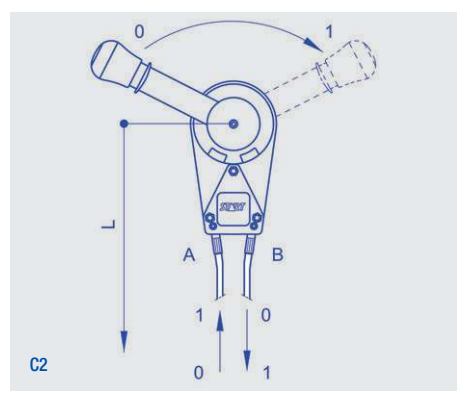
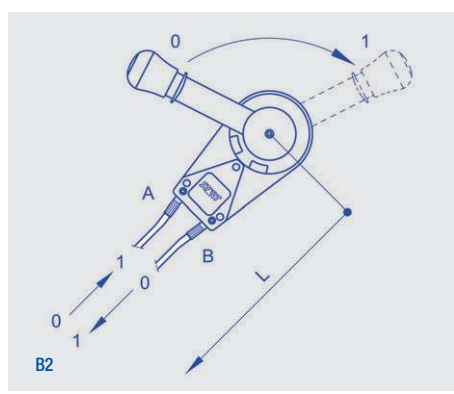
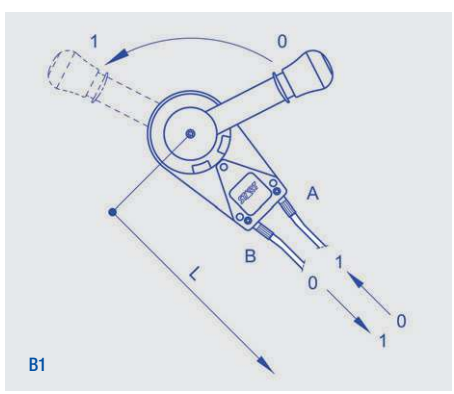
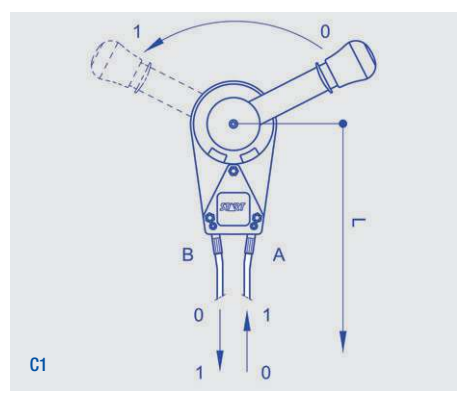
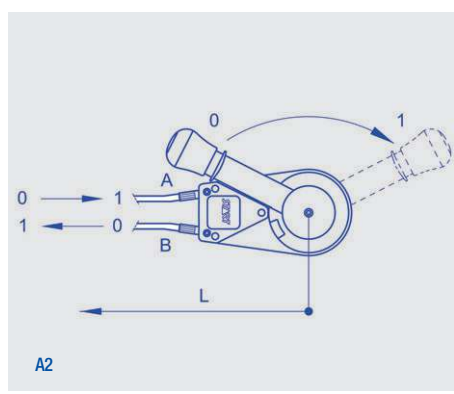
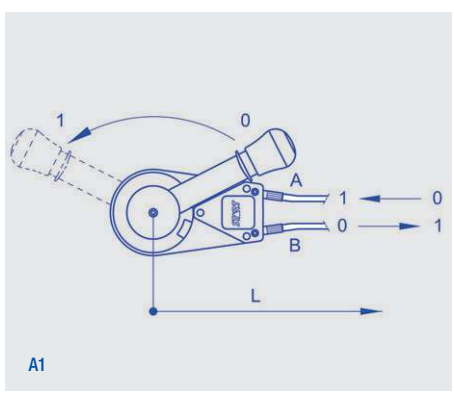
  

Ref.	Wire Ø	A	B	C	D
<b>Wire</b>					
E1	1.9	( Only electro-welded end )			
E2	2.5	( Only electro-welded end )			
E3	3	( Only electro-welded end )			
<b>Fork</b>					
F1	1.9	38	6	24	6
F2	2.5	38	6	24	6
F3	2.5	34	8	16	8
F4	3	38	6	24	6
F5	3	34	8	16	8
<b>Spring</b>					
M1	1.9	46	2.2	12	
M2	1.9	55	3	15	
M3	2.5	57	3.5	16	
<b>Loop</b>					
O1	1.9	31	6.2	12	
O2	1.9	32	8.3	16	
O3	1.9	32	10.2	16	
O4	2.5	31	6.2	12	
O5	2.5	32	8.3	16	
O6	2.5	32	10.2	16	
O7	3	31	6.2	12	
O8	3	32	8.3	16	
O9	3	32	10.2	16	
<b>Threaded pin</b>					
P1	1.9	44	M6	20	
P2	1.9	74	M6	46	
P3	2.5	44	M6	20	
P4	2.5	74	M6	46	
P5	2.5	49	M8	25	
P6	3	44	M6	20	
P7	3	74	M6	46	
P8	3	49	M8	25	
P9	3	90	M8	55	

L = Sheath length S = Protrusion with assembled lever in resting position ("0" position)



**LATERAL MECHANICAL CONTROLS**  
**ORDER FORM FOR COMPATIBLE CABLES**  
**MODELS DC 10TD - DC 10RTD**





## LATERAL MECHANICAL CONTROLS ORDER FORM FOR COMPATIBLE CABLES MODELS DC 10TD - DC 10RTD

### To order:

The technical options that are represented on the opposite page are the standard personalizations which are provided from the company.

Among these possibilities, you can choose the cable construction that meets your requirements.

At first choose the sheath diameter and select the corresponding terminals among the possible options.

Find out your preferences and fill in the boxes with the number or the letters/number corresponding to your options.

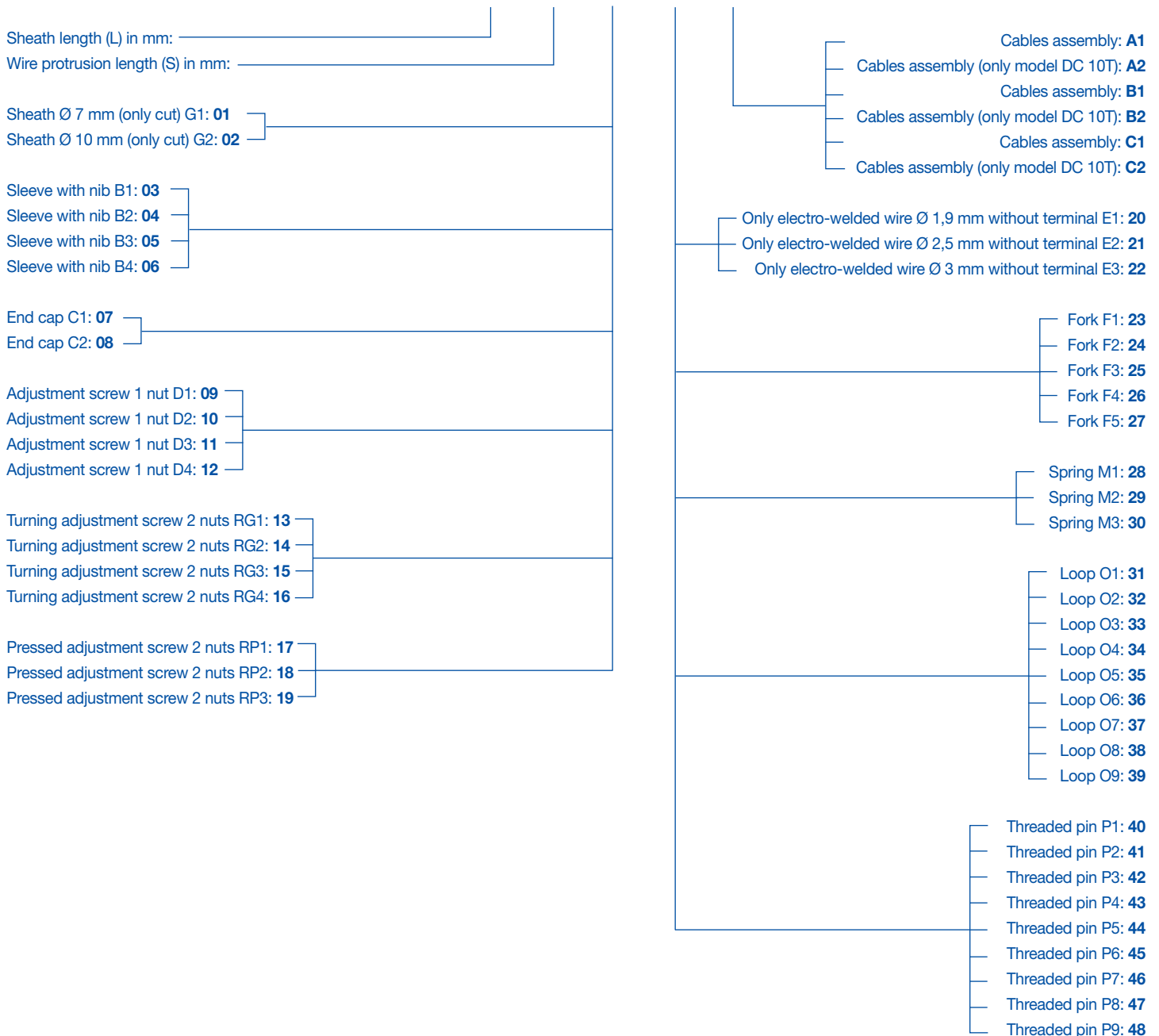
Example: if you choose a Ø7 mm sheath and you want a sleeve with nib as terminal, indicate the code 03 or 04, according to your needs.

And so on for other variables.

The same procedure must be used to choose the wire: start choosing the diameter and then select the corresponding options.

**To order: compose, please, your product code inserting the boldfaced code corresponding to the chosen option in the proper square.**

<b>Cable A</b>							
<b>Cable B</b>							



L = start point for sheath length. Other cables typologies are available upon request.