



LATERAL MECHANICAL CONTROLS WITH TRACTION ACTING WITH LOCKING (heavy loads applications - single cable) AND ORDER FORM MODEL DC 10T VERSIONS DC 10T- F3 / DC 10T-F5

Characteristics:

Versions: not frictioned functioning with 3 or 5 locking blocks or functioning with friction having an adjustable stiffness with 3 or 5 locking blocks.

Cable linear stroke: 64 mm (in the 3 positions version) or 72 mm (in the 5 positions version)

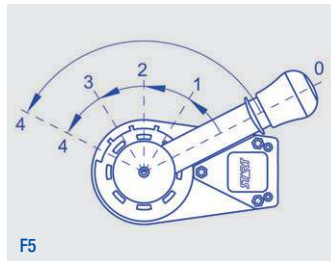
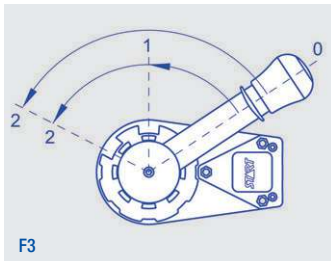
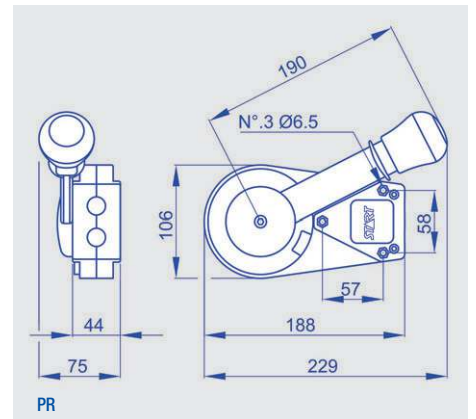
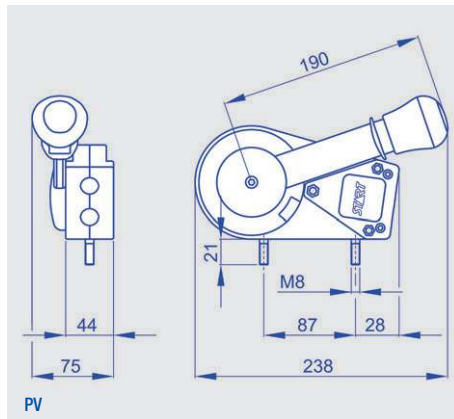
Fastening type: floor fastening or wall fastening

Lever material: steel and nylon

Lever rotation arch: 126° Lever ratio: 6:1

Lever colour: black

Knob colour: black or red



To order: compose, please, your product code inserting the boldfaced code corresponding to the chosen option in the proper square.

DC 10T

Version with 3 locking blocks: **F3**
Version with 5 locking blocks: **F5**

Not frictioned functioning: **L**
Functioning with friction having an adjustable stiffness: **F**

Floor fastening: **PV**
Wall fastening: **PR**

Black knob: **N**
Red knob: **R**



LATERAL MECHANICAL CONTROLS COMPATIBLE CABLES MODELS DC 10T - DC 10RT

Characteristics:

Sheath diameter: Ø7 mm or Ø10 mm with inner antifriction tube

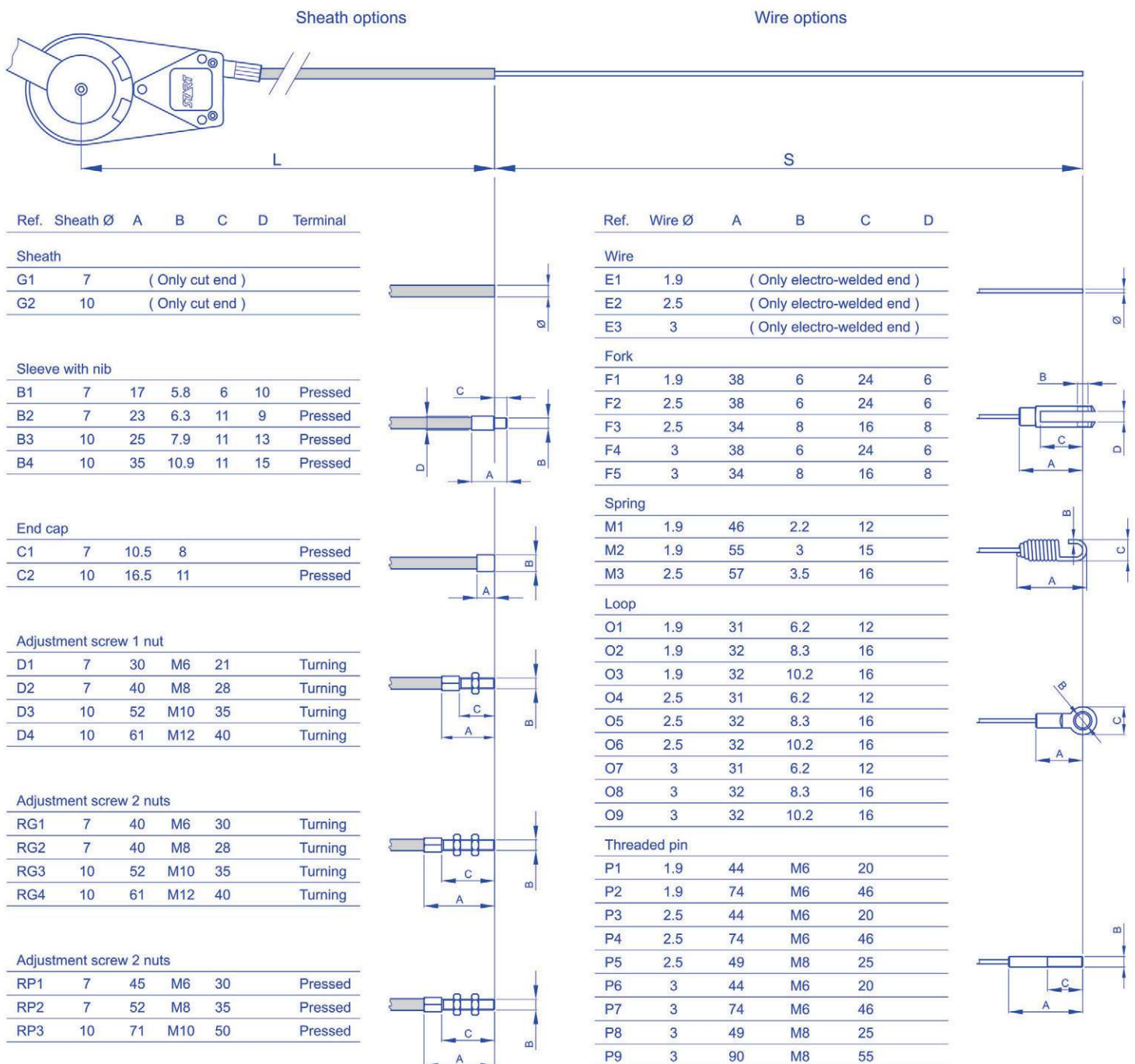
Sheath length: upon request

Wire diameter: Ø1,9 mm or Ø2,5 mm or Ø3 mm

Wire protrusion length: upon request

Sheath terminals: see table

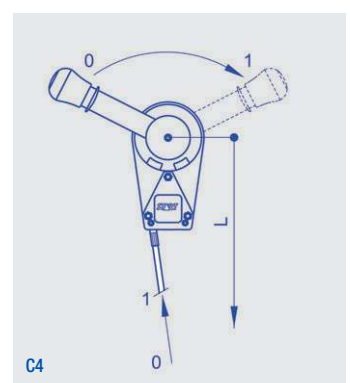
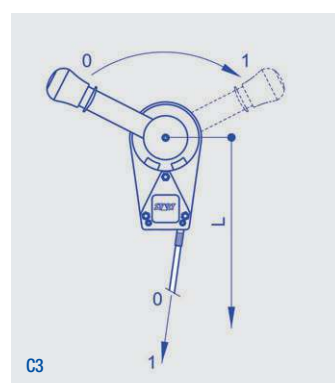
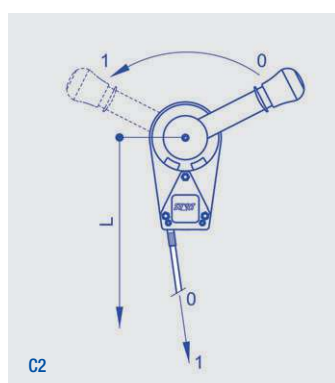
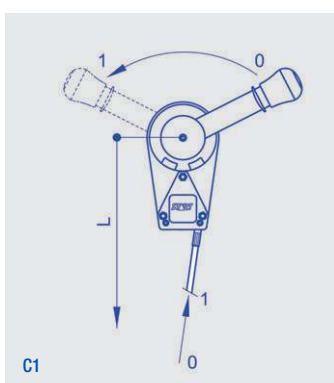
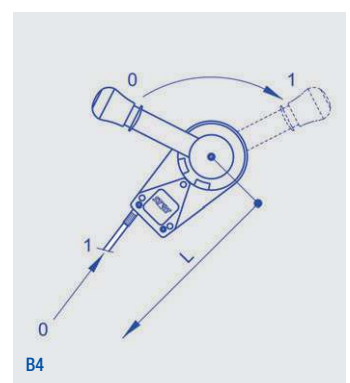
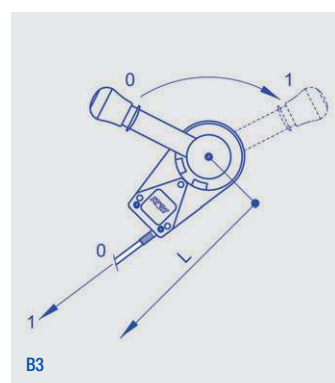
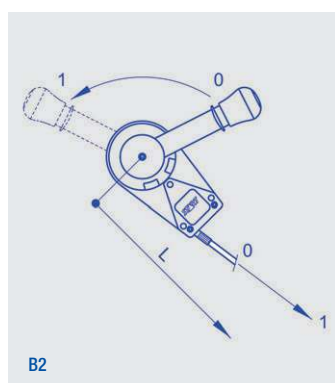
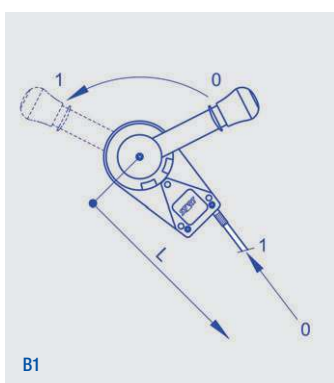
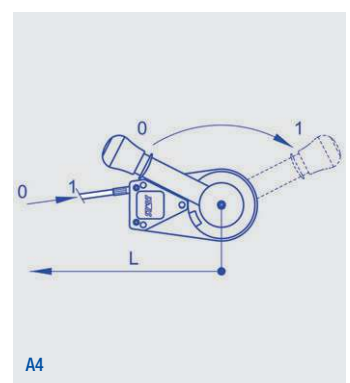
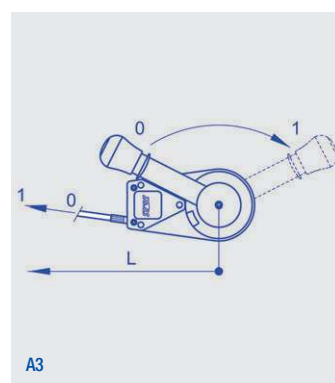
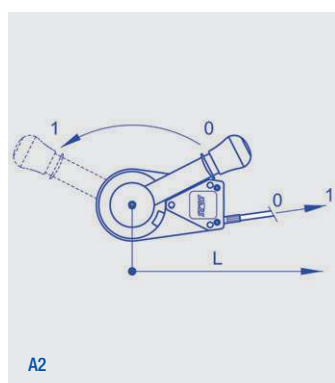
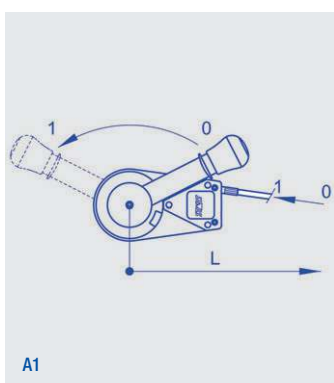
Wire terminals: see table



L = Sheath length S = Protrusion with assembled lever in resting position ("0" position)



LATERAL MECHANICAL CONTROLS ORDER FORM FOR COMPATIBLE CABLES MODELS DC 10T - DC 10RT





LATERAL MECHANICAL CONTROLS ORDER FORM FOR COMPATIBLE CABLES MODELS DC 10T - DC 10RT

To order:

The technical options that are represented on the opposite page are the standard personalizations which are provided from the company.

Among these possibilities, you can choose the cable construction that meets your requirements.

At first choose the sheath diameter and select the corresponding terminals among the possible options.

Find out your preferences and fill in the boxes with the number or the letters/number corresponding to your options.

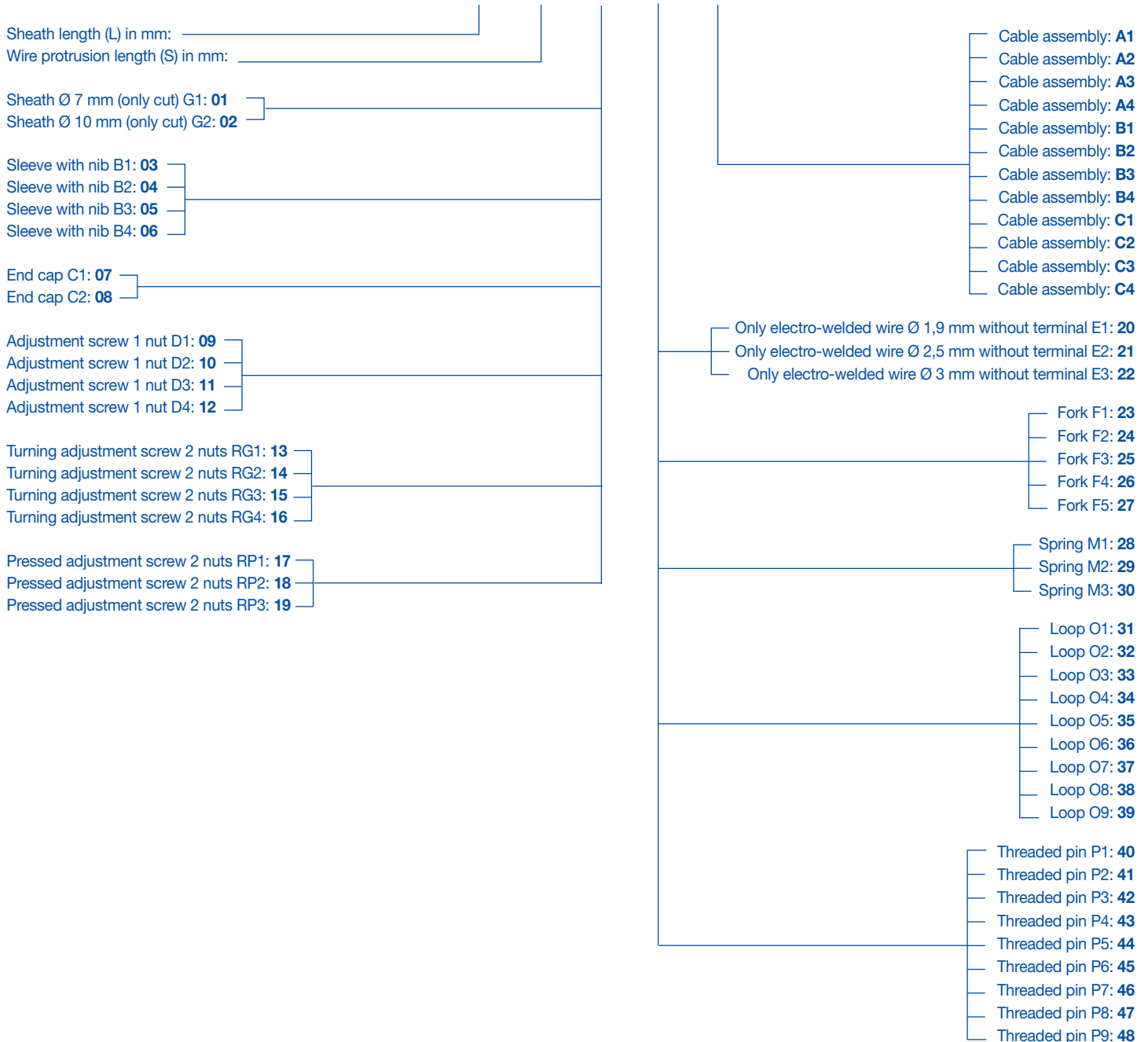
Example: if you choose a Ø7 mm sheath and you want a sleeve with nib as terminal, indicate the code 03 or 04, according to your needs.

And so on for other variables.

The same procedure must be used to choose the wire: start choosing the diameter and then select the corresponding options.

To order: compose, please, your product code inserting the boldfaced code corresponding to the chosen option in the proper square.

Cable						
-------	--	--	--	--	--	--



L = start point for sheath length. Other cables typologies are available upon request.