



LATERAL MECHANICAL CONTROLS WITH TRACTION AND COMPRESSION ACTING WITH DIRECT ACTING (heavy loads applications - single cable) AND ORDER FORM MODEL DC 10S VERSION DC 10S-A

Characteristics:

Versions: free, not frictioned functioning or free functioning with friction having an adjustable stiffness

Cable linear stroke: 75 mm

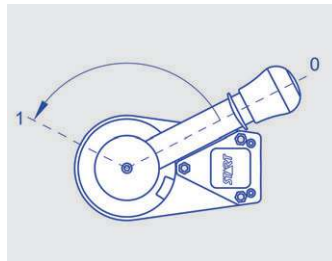
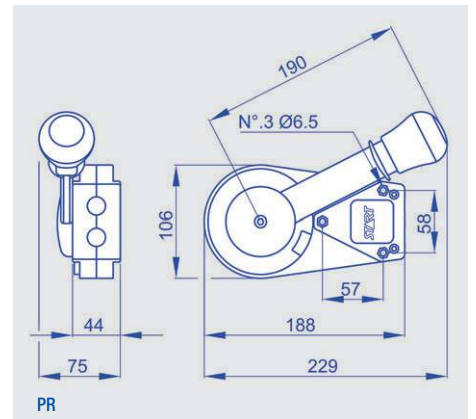
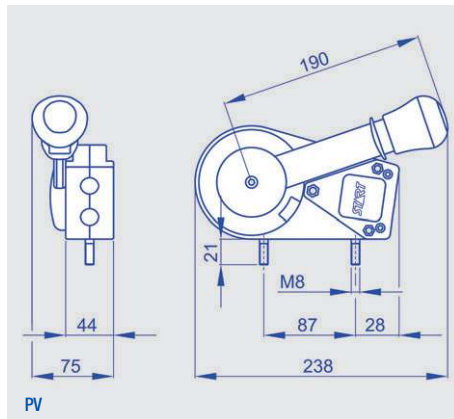
Fastening type: floor fastening or wall fastening

Lever material: steel and nylon

Lever rotation arch: 126° Lever ratio: 6:1

Lever colour: black

Knob colour: black or red



To order: compose, please, your product code inserting the boldfaced code corresponding to the chosen option in the proper square.

DC 10S-A

Free, not frictioned functioning: **L**

Free functioning with friction having an adjustable stiffness: **F**

Floor fastening: **PV**

Wall fastening: **PR**

Black knob: **N**

Red knob: **R**

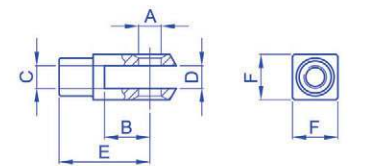
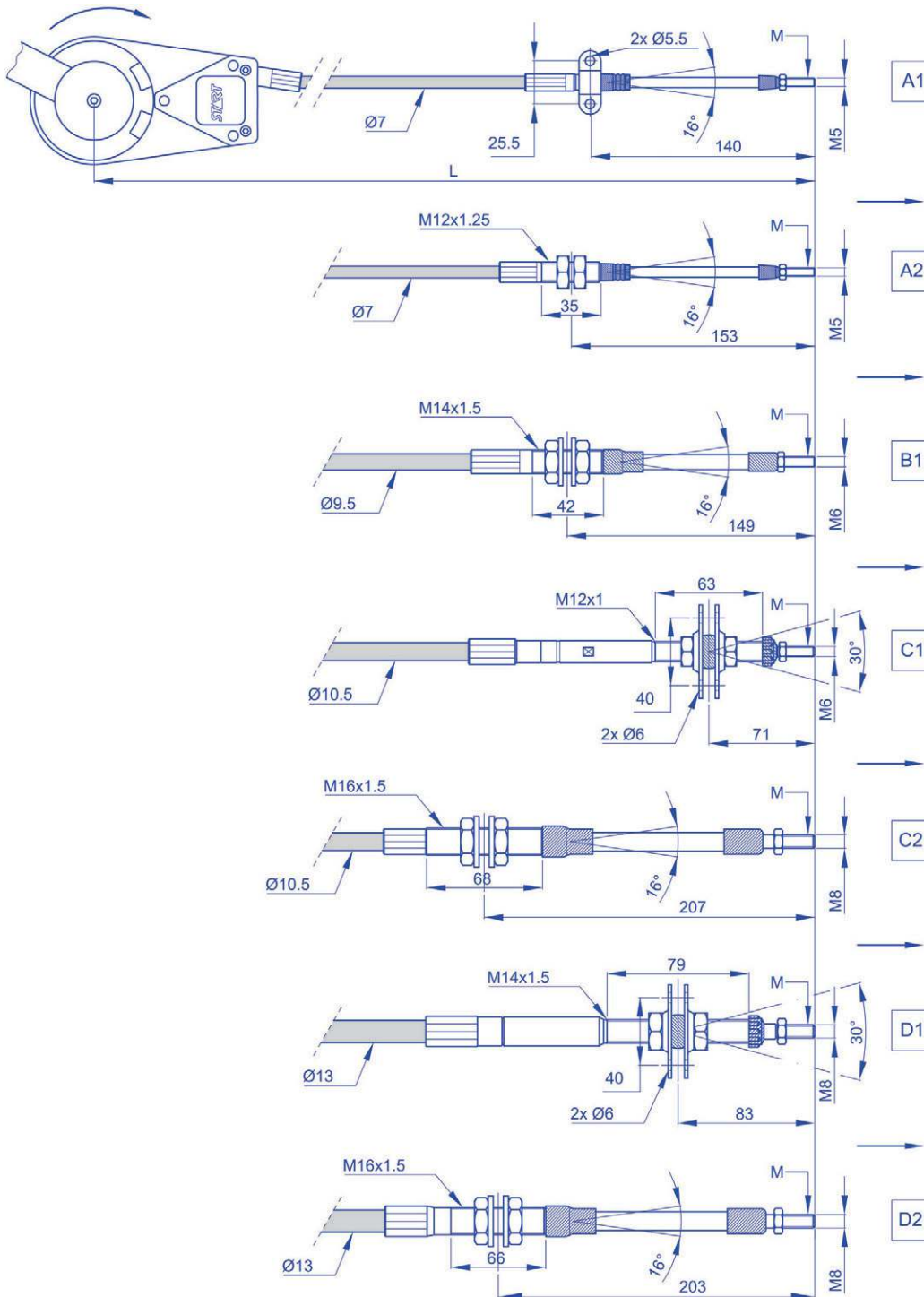


LATERAL MECHANICAL CONTROLS COMPATIBLE CABLES MODELS DC 10S - DC 10RS

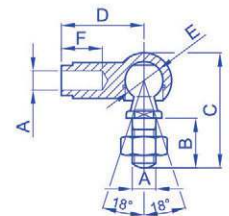
Characteristics:

- Cable with sheath $\varnothing 7$ mm suitable for push loadings up to 12 kg.
- Cable with sheath $\varnothing 9,5$ mm suitable for push loadings up to 30 kg.
- Cable with sheath $\varnothing 10,5$ mm suitable for push loadings up to 60 kg.
- Cable with sheath $\varnothing 13$ mm suitable for push loadings up to 100 kg.

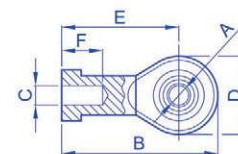
- Cable length: upon request
- Cable terminals: see table
- Cable accessories: see table



Ref.	A	B	C	D	E	F
Fork						
F1	5	10	M5	5	20	10
F2	5	20	M5	5	30	10
F3	6	12	M6	6	24	12
F4	6	24	M5	6	36	12
F5	6	24	M6	6	36	12
F6	8	16	M8	8	32	16
F7	8	32	M6	8	48	16
F8	8	32	M8	8	48	16



Ref.	A	B	C	D	E	F
Angular joint						
S1	M5	10.2	28.2	22	8	10
S2	M6	12.5	31	25	10	11.5
S3	M8	16.5	39.2	30	13	14



Ref.	A	B	C	D	E	F
Joint head						
T1	5	35	M5	16	27	15
T2	6	40	M6	20	30	12
T3	8	48	M8	24	36	16

L = Cable length with rod in start stroke position.



LATERAL MECHANICAL CONTROLS ORDER FORM FOR COMPATIBLE CABLES MODELS DC 10S - DC 10RS

To order:

The technical options that are represented on the opposite page are the standard personalizations which are provided from the company.

Among these possibilities, you can choose the cable construction that meets your requirements.

At first choose the cable typology and select the corresponding accessories among the possible options.

Find out your preferences and fill in the boxes with the number or the letters/number corresponding to your options.

Example: if you choose a Ø7 mm cable and you want a fork as accessory, indicate the code 08 or 09 or 11, according to your needs.

And so on for other variables.

To order: compose, please, your product code inserting the boldfaced code corresponding to the chosen option in the proper square.

Cable							
--------------	--	--	--	--	--	--	--

Cable length (L) in mm: _____

Cable Ø7 mm with jointed connection with plate A1: **01**

Cable Ø7 mm with jointed threaded connection A2: **02**

Cable Ø9,5 mm with jointed connection with crack B1: **03**

Cable Ø10,5 mm with threaded connection with flanges for joint C1: **04**

Cable Ø10,5 mm with jointed threaded connection C2: **05**

Cable Ø13 mm with threaded connection with flanges for joint D1: **06**

Cable Ø13 mm with jointed threaded connection D2: **07**

Fork F1: **08**

Fork F2: **09**

Fork F3: **10**

Fork F4: **11**

Fork F5: **12**

Fork F6: **13**

Fork F7: **14**

Fork F8: **15**

Angular joint S1: **16**

Angular joint S2: **17**

Angular joint S3: **18**

Joint head T1: **19**

Joint head T2: **20**

Joint head T3: **21**

Cable assembly: **A1**

Cable assembly: **A2**

Cable assembly (only model DC 10T): **A3**

Cable assembly (only model DC 10T): **A4**

Cable assembly: **B1**

Cable assembly: **B2**

Cable assembly (only model DC 10T): **B3**

Cable assembly (only model DC 10T): **B4**

Cable assembly: **C1**

Cable assembly: **C2**

Cable assembly (only model DC 10T): **C3**

Cable assembly (only model DC 10T): **C4**