



ELECTRONIC DEVICES MECHANICAL COMPONENT WITH 5 POSITIONS FUNCTIONS AND ORDER FORM MODEL CS 110

Characteristics:

Assembly: on walls

Fastening type: with M5 screws

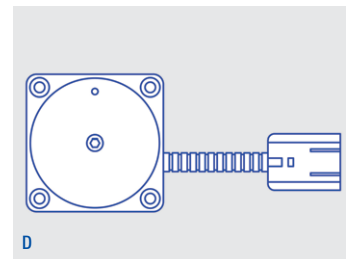
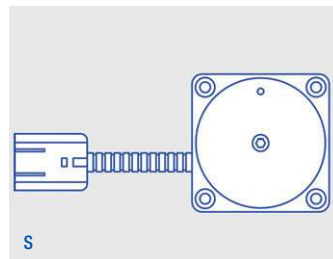
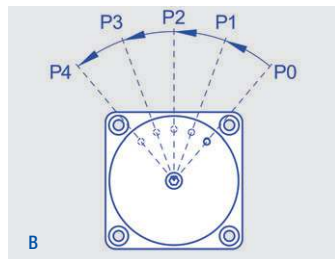
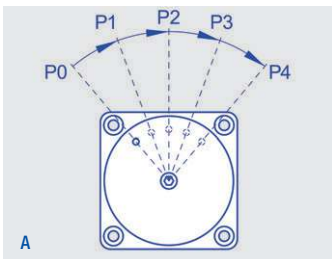
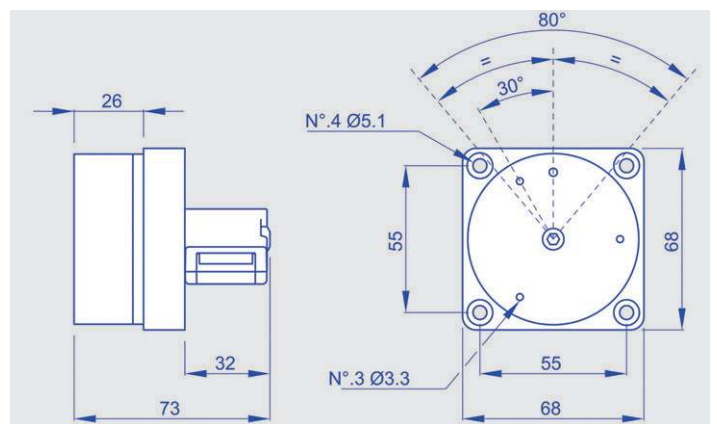
Device functioning : 5 jerky positions

Functioning from P0 to P4: clockwise or counterclockwise (P0 corresponds to the beginning of the sensor scale)

Knob and support material and colour: black reinforced resin

Knob rotation arch: 80°

Electric cables outlet: on the left or on the right



To order: compose, please, your product code inserting the boldfaced code corresponding to the chosen option in the proper square.

CS 110

Functioning "P0 - P4" clockwise: **A**

Functioning "P0 - P4" counterclockwise: **B**

Cables outlet on the left: **S**

Cables outlet on the right: **D**

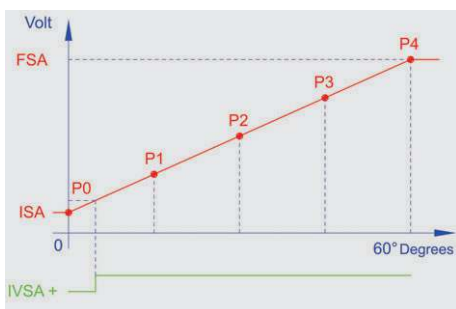


ELECTRONIC DEVICES PREVALENT SOFTWARE COMPONENT AND ORDER FORM MODELS CS 110 - CS 115

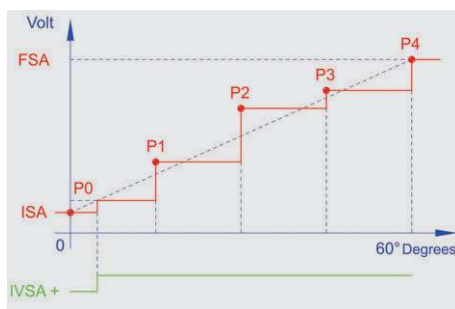
Main characteristics:

- Angle signal output: analog
- Beginning scale angle signal (IS): 0,2→4,9 Vdc
- Full-scale angle signal (FS): 0,2→4,9 Vdc
- Digital signal polarity (IVS validation): positive or negative

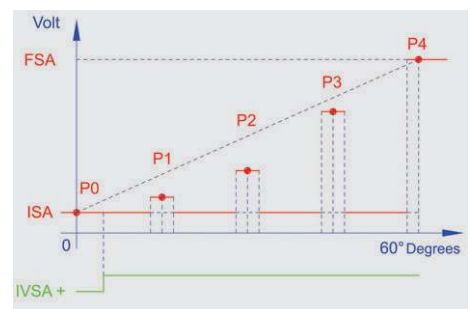
N.B. The below described software are examples extrapolated from a much broader generality.
The performances can therefore be modified. For specific and different needs Start s.r.l. is at disposal.



AT1: Analog output, positive IVSA, STL1D sensor



AT2: Analog output at programmable levels, positive IVSA, STL1D sensor



AT3: Analog output at programmable levels, positive IVSA, STL1D sensor

To order: compose, please, your product code inserting the boldfaced code corresponding to the chosen option in the proper square.

	AT				
Software AT1: 1					
Software AT2: 2					
Software AT3: 3					
ISA beginning scale signal from: 0,2 to 4,9 Vdc					
FSA full-scale signal from: 0,2 to 4,9 Vdc					
IVSA signal positive polarity: P					
IVSA signal negative polarity: N					

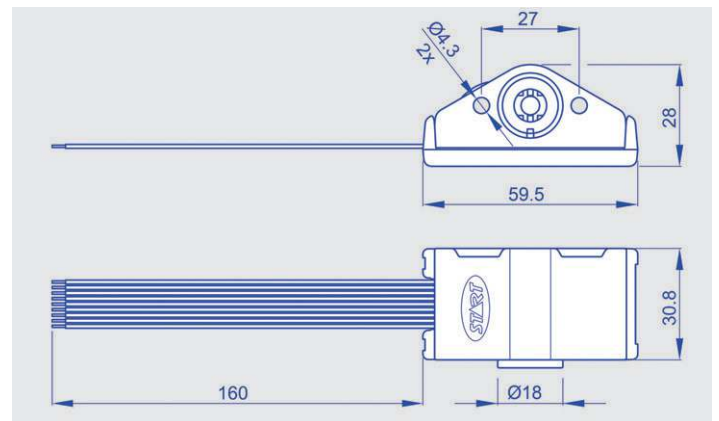
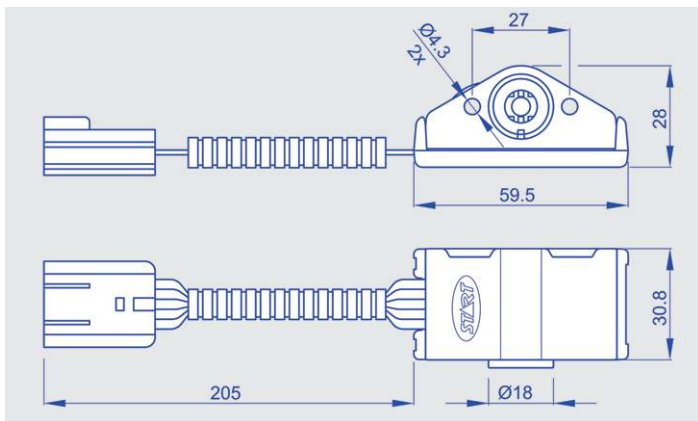
The beginning of the sensor scale (ISA) corresponds to the mechanical zero of the control



ELECTRONIC DEVICES HARDWARE COMPONENT AND ORDER FORM MODELS CS 110 - CS 115

Main characteristics:

- Power input: 5 Vdc or 8→36 Vdc
- Consumption: 20 mA typ
- Protection: silicone filler or coating
- Connector: Delphi 10 pole or free cables



To order: compose, please, your product code inserting the boldfaced code corresponding to the chosen option in the proper square.

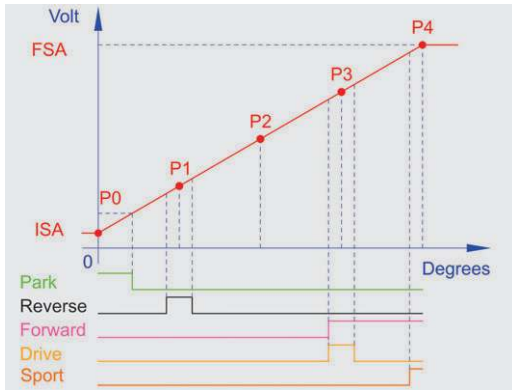
SENSOR			
--------	--	--	--

- Power input 5 Vdc: **5**
- Power input 8→36 Vdc: **8**
- Protection with silicone filler: **R**
- Protection with coating: **C**
- Connector Delphi 10 pole: **D**
- Free cables: **L**



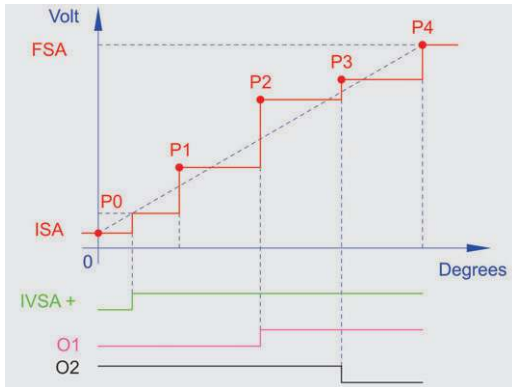


ELECTRONIC DEVICES APPLICATIONS EXAMPLES WITH SENSOR STL2D-HP MODELS CS 110 - CS 115



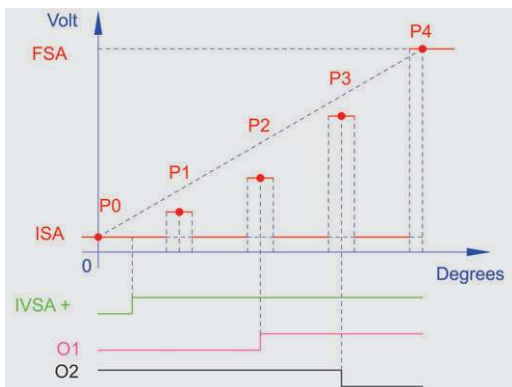
AUTOMATIC TRANSMISSION MANAGEMENT

In the beside graphic a configuration example for the automatic transmission management of cars and electric vehicles is represented. The five click positions correspond to as many states of motion of the car, which are identified by the digital signals Park, Reverse, Forward, Drive and Sport. The logic with which the signals present themselves at the output of the device is functional to a control unit that manages the car engine afterwards. Some services (switching on of taillights, parking indicator, etc.) are actuated from these signals.



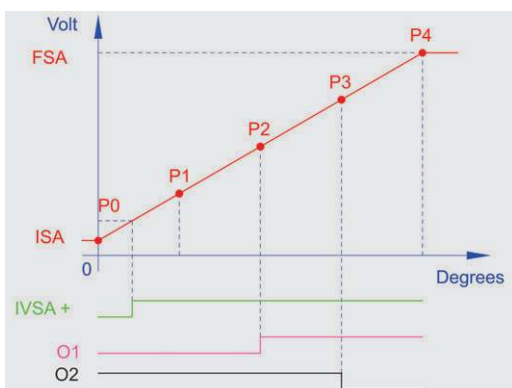
PROGRAMMING OF THE CONSTANT SPEED AT LEVELS

In the beside graphic a configuration example is represented that allows to move a vehicle at a constant and programmed speed, for a long time, without the operator's intervention. In the various lever positions, the output at levels assumes fixed values, that are parameterizable inside the definite range (IS and FS). The validation (IVS) stabilizes the state of car stop for safety purposes. Using the STL2D-HP sensor, 6 input / output signals are available (I/O), which are definable by the customer (for example actuating acoustic or light signals or devices like valves or engines, corresponding to particular output levels).



PROGRAMMING OF THE CONSTANT SPEED AT LEVELS WITH RETURN TO IS VALUE

In the beside graphic a configuration example is represented that allows to move a vehicle at a constant and programmed speed, for a long time, without the operator's intervention. In the various lever positions, the output at levels assumes fixed values, that are parameterizable inside the definite range (IS e FS). Out of these positions the output returns to the IS value. The validation (IVS) stabilizes the state of car stop for safety purposes. Using the STL2D-HP sensor, 6 input / output signals are available (I/O), which are definable by the customer (for example actuating acoustic or light signals or devices like valves or engines, corresponding to particular output levels).



PROGRAMMING OF THE PROGRESSIVE SPEED

In the beside graphic a configuration example is represented that allows to move a vehicle at a constant and programmed speed, for a long time, without the operator's intervention. In the various lever positions, the output at levels assumes fixed values, that are proportional to the angle inside the definite range (IS and FS). The passage to the successive value occurs with continuity through all the intermediate values. The validation (IVS) stabilizes the state of car stop for safety purposes. Using the STL2D-HP sensor, 6 input / output signals are available (I/O), which are definable by the customer (for example actuating acoustic or light signals or devices like valves or engines, corresponding to particular output levels).