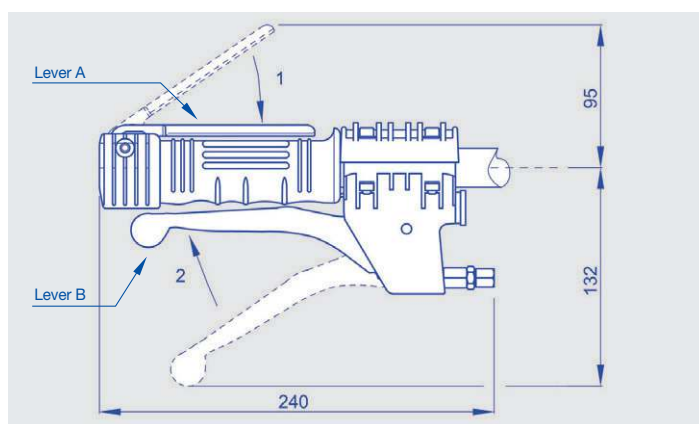




## COMBINED ELECTRIC / MECHANICAL CONTROLS FOR SWITCHING ON MANAGEMENT AND ACCESSORY ENGAGEMENT AND ORDER FORM MODEL CL 8B

### Characteristics:

- |  |   |
|--|---|
| Control functioning: the lower lever B can be activated only after having activated the upper lever A (see note) |   |
| Application example: accessory engagement (lower lever B), only with engine on (upper lever A)                   |   |
| Upper lever A electric contact: normally open microswitch (see note)   | Lower lever B linear stroke in locking position (mm): 16,5                    |
| Lever A material and colour: red nylon; holder in black nylon  | Lever B material and treatment: chromium plated metal; holder in black colour |
| Assembly: on tube  | Assembly: on tube   |
| Lever A fastening type: expansion bush inside the tub  | Lever B fastening type: nylon collar  |
| Tube inner diameter for lever A (mm): from 18 to 26,5  | Tube outer diameter for lever B (mm): 22 - 25 - 26 - 27 - 28                  |



To order: compose, please, your product code inserting the boldfaced code corresponding to the chosen option in the proper square.

CL 8B

- Tube inner Ø from 18 to 21,5 mm: **1**
- Tube inner Ø from 21,6 to 26,5 mm: **2**

- Outer tube Ø mm 22: **3**
- Outer tube Ø mm 25: **4**
- Outer tube Ø mm 26: **5**
- Outer tube Ø mm 27: **6**
- Outer tube Ø mm 28: **7**

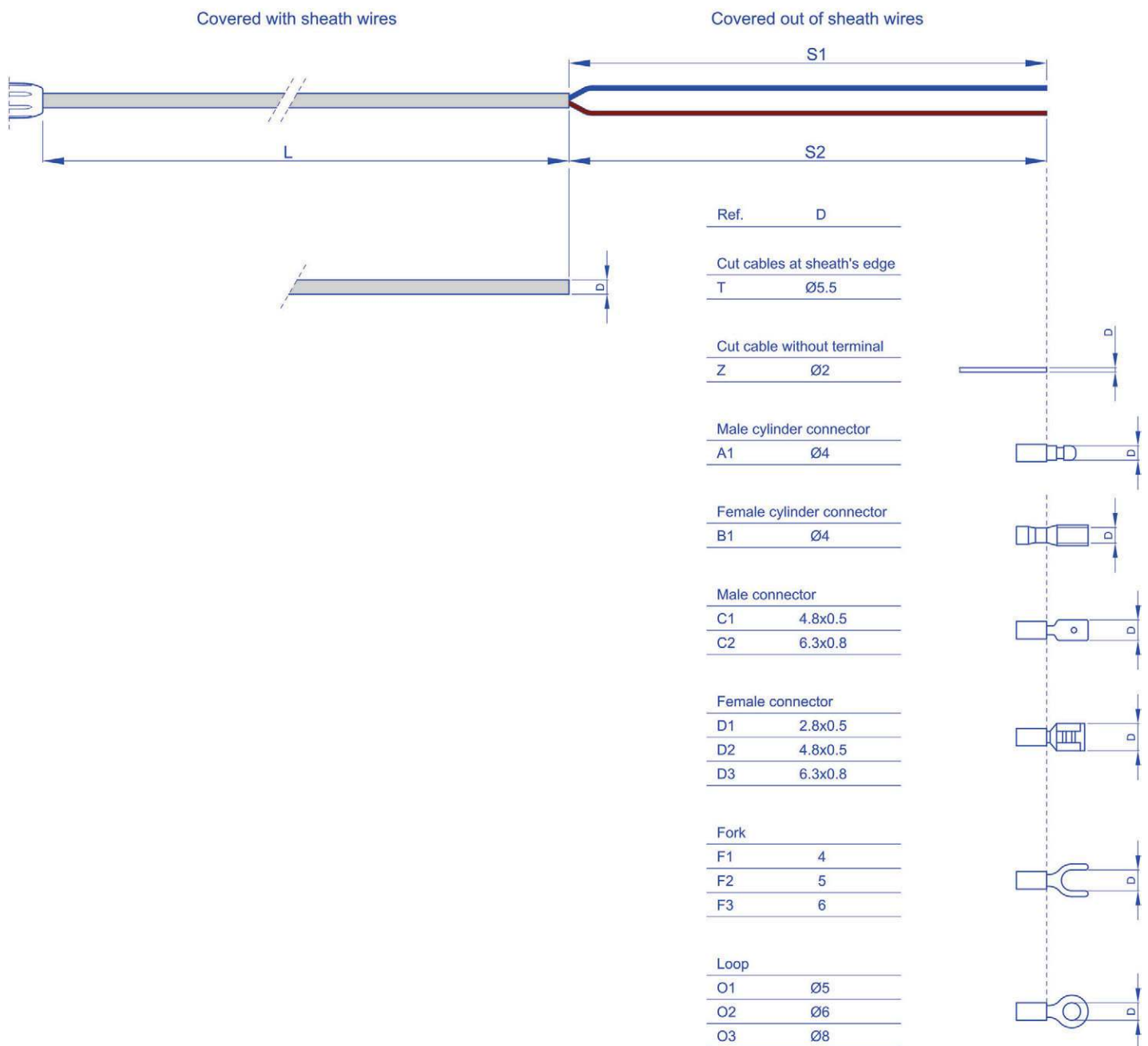
**Note:** a device inside the lower lever allows its functioning only after having lowered the upper lever, avoiding an accidental operation of the lower lever. **Microswitch:** "normally open" for internal combustion engine; "normally closed" for electric engine. The characteristic of the microswitch "normally open" or "normally closed" is meant with the lever leant on the knob (lowered lever). **Knob:** shaped for assembly on tubes supplied in support of.



## COMBINED ELECTRIC / MECHANICAL CONTROLS COMPATIBLE WITH UPPER LEVER ELECTRIC CABLES MODEL CL 8B

### Characteristics of compatible electric cables for lever "A":

- Cable outer diameter: Ø5,5 mm
- Cable length: upon request
- Wires diameter: Ø2x0,75 mm
- Wires stripping length: upon request
- Wires terminals: see table





## COMBINED ELECTRIC / MECHANICAL CONTROLS ORDER FORM FOR COMPATIBLE WITH UPPER LEVER ELECTRIC CABLES MODEL CL 8B

**To order:**

The technical options that are represented on the opposite page are the standard personalizations which are provided from the company.

Among these possibilities, you can choose the cable construction that meets your requirements.

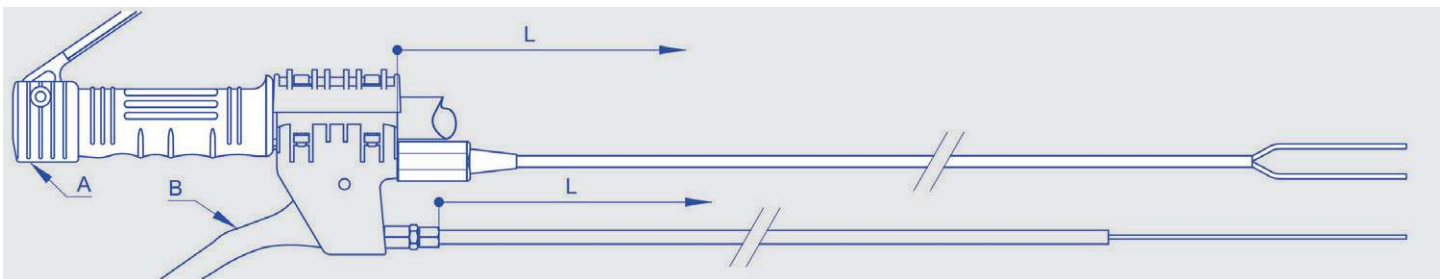
At first choose if you want the covered wires cut at sheath's edge or the covered out of sheath wires and eventually select the corresponding terminals among the possible options.

Find out your preferences and fill in the boxes with the number or the letters/number corresponding to your options.

Example: if you choose the covered out of sheath wires and you want a loop on the blue wire as terminal, indicate the code 12 or 13 or 14, according to your needs.

And so on for other variables.

The same procedure must be used for the brown wire and then select the corresponding options.



**To order: compose, please, your product code inserting the boldfaced code corresponding to the chosen option in the proper square.**

<b>CL 8B - Lever A cable</b>	<b>Cut cables at sheath's edge (T)</b>		<b>Blue covered cable</b>		
			<b>Brown covered cable</b>		

Covered with sheath cables length (L) in mm: _____	Brown out of sheath wire length (S2) in mm: _____
--	---

Covered out of sheath wire Z: <b>01</b> _____ Male cylinder connector A1: <b>02</b> _____ Female cylinder connector B1: <b>03</b> _____ Male connector C1: <b>04</b> _____ Male connector C2: <b>05</b> _____ Female connector D1: <b>06</b> _____ Female connector D2: <b>07</b> _____ Female connector D3: <b>08</b> _____ Fork F1: <b>09</b> _____ Fork F2: <b>10</b> _____ Fork F3: <b>11</b> _____ Loop O1: <b>12</b> _____ Loop O2: <b>13</b> _____ Loop O3: <b>14</b> _____	Covered out of sheath wire Z: <b>15</b> _____ Male cylinder connector A1: <b>16</b> _____ Female cylinder connector B1: <b>17</b> _____ Male connector C1: <b>18</b> _____ Male connector C2: <b>19</b> _____ Female connector D1: <b>20</b> _____ Female connector D2: <b>21</b> _____ Female connector D3: <b>22</b> _____ Fork F1: <b>23</b> _____ Fork F2: <b>24</b> _____ Fork F3: <b>25</b> _____ Loop O1: <b>26</b> _____ Loop O2: <b>27</b> _____ Loop O3: <b>28</b> _____
---	---

Blue out of sheath wire length (S1) in mm: _____	
--	--



## COMBINED ELECTRIC / MECHANICAL CONTROLS COMPATIBLE WITH LOWER LEVER CABLES MODEL CL 8B

### Characteristics of compatible cables for lever "B":

Sheath diameter: Ø6 mm or Ø7 mm with inner antifriction tube

Sheath length: upon request

Wire diameter: Ø1,9 mm or Ø2,5 mm

Wire protrusion length: upon request

Sheath terminals: see table

Wire terminals: see table

Sheath options

Wire options

Ref.	Sheath Ø	A	B	C	D	Terminal
<b>Sheath</b>						
G1	6	( Only cut end )				
G2	7	( Only cut end )				
<b>Sleeve with nib</b>						
B1	6	20	5.9	7	8	Pressed
B2	6	23	6.3	11	9	Pressed
B3	7	17	5.8	6	10	Pressed
B4	7	23	6.3	11	9	Pressed
<b>End cap</b>						
C1	6	10	7			Pressed
C2	7	10.5	8			Pressed
<b>Adjustment screw 1 nut</b>						
D1	6	30	M6	21		Turning
D2	6	40	M8	28		Turning
D3	7	30	M6	21		Turning
D4	7	40	M8	28		Turning
<b>Adjustment screw 2 nuts</b>						
RG1	6	40	M6	30		Turning
RG2	6	40	M8	28		Turning
RG3	7	40	M6	30		Turning
RG4	7	40	M8	28		Turning
<b>Adjustment screw 2 nuts</b>						
RP1	6	40	M6	30		Pressed
RP2	6	40	M8	28		Pressed
RP3	7	40	M6	30		Pressed
RP4	7	40	M8	28		Pressed

Ref.	Wire Ø	A	B	C	D
<b>Wire</b>					
E1	1.9	( Only electro-welded end )			
E2	2.5	( Only electro-welded end )			
<b>Fork</b>					
F1	1.9	30	6	12	6
F2	1.9	38	6	24	6
F3	2.5	30	6	12	6
F4	2.5	38	6	24	6
F5	2.5	34	8	16	8
<b>Spring</b>					
M1	1.9	46	2.2	12	
M2	1.9	55	3	15	
M3	2.5	57	3.5	16	
<b>Loop</b>					
O1	1.9	23	5.2	10.6	
O2	1.9	23	6.2	10.6	
O3	1.9	31	6.2	12	
O4	1.9	32	8.3	16	
O5	1.9	32	10.2	16	
O6	2.5	31	6.2	12	
O7	2.5	32	8.3	16	
O8	2.5	32	10.2	16	
<b>Threaded pin</b>					
P1	1.9	44	M6	20	
P2	1.9	74	M6	46	
P3	2.5	44	M6	20	
P4	2.5	74	M6	46	
P5	2.5	49	M8	25	
<b>Zed bend</b>					
Z1	1.9	26	4	15	14.5



## COMBINED ELECTRIC / MECHANICAL CONTROLS ORDER FORM FOR COMPATIBLE WITH LOWER LEVER CABLES MODEL CL 8B

**To order:**

The technical options that are represented on the opposite page are the standard personalizations which are provided from the company.

Among these possibilities, you can choose the cable construction that meets your requirements.

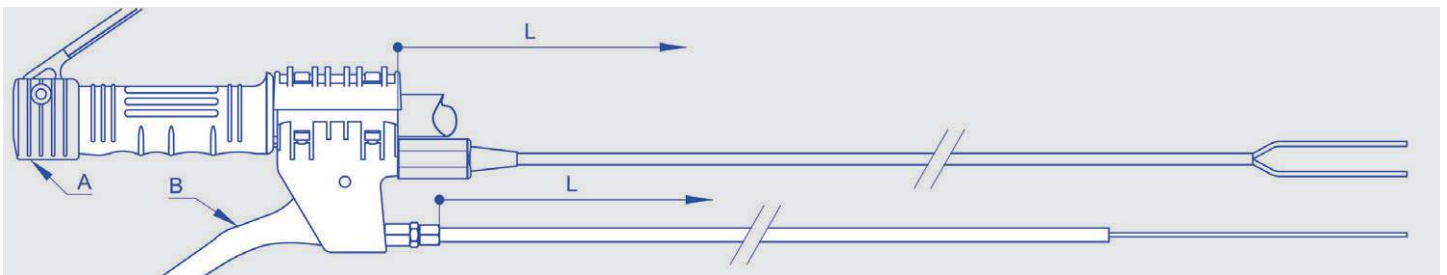
At first choose the sheath diameter and select the corresponding terminals among the possible options.

Find out your preferences and fill in the boxes with the number or the letters/number corresponding to your options.

Example: if you choose a Ø7 mm sheath and you want a sleeve with nib as terminal, indicate the code 05 or 06, according to your needs.

And so on for other variables.

The same procedure must be used to choose the wire: start choosing the diameter and then select the corresponding options.



**To order: compose, please, your product code inserting the boldfaced code corresponding to the chosen option in the proper square.**

CL 8B - Lever B cable

<p>Sheath length (L) in mm: _____</p> <p>Wire protrusion length (S) in mm: _____</p> <p>Sheath Ø6 mm (only cut) G1: <b>01</b></p> <p>Sheath Ø7 mm (only cut) G2: <b>02</b></p> <p>Sleeve with nib B1: <b>03</b></p> <p>Sleeve with nib B2: <b>04</b></p> <p>Sleeve with nib B3: <b>05</b></p> <p>Sleeve with nib B4: <b>06</b></p> <p>End cap C1: <b>07</b></p> <p>End cap C2: <b>08</b></p> <p>Adjustment screw 1 nut D1: <b>09</b></p> <p>Adjustment screw 1 nut D2: <b>10</b></p> <p>Adjustment screw 1 nut D3: <b>11</b></p> <p>Adjustment screw 1 nut D4: <b>12</b></p> <p>Turning adjustment screw 2 nuts RG1: <b>13</b></p> <p>Turning adjustment screw 2 nuts RG2: <b>14</b></p> <p>Turning adjustment screw 2 nuts RG3: <b>15</b></p> <p>Turning adjustment screw 2 nuts RG4: <b>16</b></p> <p>Pressed adjustment screw 2 nuts RP1: <b>17</b></p> <p>Pressed adjustment screw 2 nuts RP2: <b>18</b></p> <p>Pressed adjustment screw 2 nuts RP3: <b>19</b></p> <p>Pressed adjustment screw 2 nuts RP4: <b>20</b></p>	<p>Only electro-welded wire Ø1,9 mm without terminal E1: <b>21</b></p> <p>Only electro-welded wire Ø2,5 mm without terminal E2: <b>22</b></p> <p>Fork F1: <b>23</b></p> <p>Fork F2: <b>24</b></p> <p>Fork F3: <b>25</b></p> <p>Fork F4: <b>26</b></p> <p>Fork F5: <b>27</b></p> <p>Spring M1: <b>28</b></p> <p>Spring M2: <b>29</b></p> <p>Spring M3: <b>30</b></p> <p>Loop O1: <b>31</b></p> <p>Loop O2: <b>32</b></p> <p>Loop O3: <b>33</b></p> <p>Loop O4: <b>34</b></p> <p>Loop O5: <b>35</b></p> <p>Loop O6: <b>36</b></p> <p>Loop O7: <b>37</b></p> <p>Loop O8: <b>38</b></p> <p>Threaded pin P1: <b>39</b></p> <p>Threaded pin P2: <b>40</b></p> <p>Threaded pin P3: <b>41</b></p> <p>Threaded pin P4: <b>42</b></p> <p>Threaded pin P5: <b>43</b></p> <p>Zed bend Z1: <b>44</b></p>
--	---

L = start point for sheath length. Other cables typologies are available upon request.