



COMBINED MECHANICAL CONTROLS FOR DIESEL MOTORSTOP, ENGAGED CLUTCH WITH REINFORCED LOCKING AND ORDER FORM MODEL CL 11D

Characteristics:

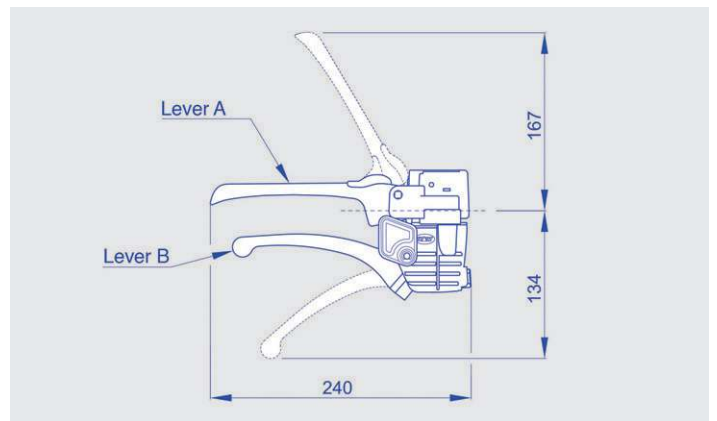
Control functioning: the levers are in dependent acting. The upper lever A is kept activated (lowered) if the lower lever B is in locking position.

Application example: deadman device (engine switching off - lever A) combined with clutch lever control (lever B)

Upper lever A linear stroke in direct acting (mm): 17 Lower lever B linear stroke in locking position (mm): 15

Lever A material and colour: red nylon; holder in black nylon Lever B material and treatment: zinc pated or chromium plated metal; holder in black nylon

Assembly: on tubes Fastening type: holders coupling through screws Tube outer diameter (mm): 22 - 25 - 26 - 27 - 28



To order: compose, please, your product code inserting the boldfaced code corresponding to the chosen option in the proper square.

CL 11D		
--------	--	--

Lower lever B material and treatment, zinc plated metal: **MZ**

Lower lever B material and treatment, chromium plated metal: **MC**

Outer tube Ø mm 22: **1**

Outer tube Ø mm 25: **2**

Outer tube Ø mm 26: **3**

Outer tube Ø mm 27: **4**

Outer tube Ø mm 28: **5**

Upper lever A: it is supplied according to the characteristics described above.

Knob: shaped for assembly on tubes supplied in support of.



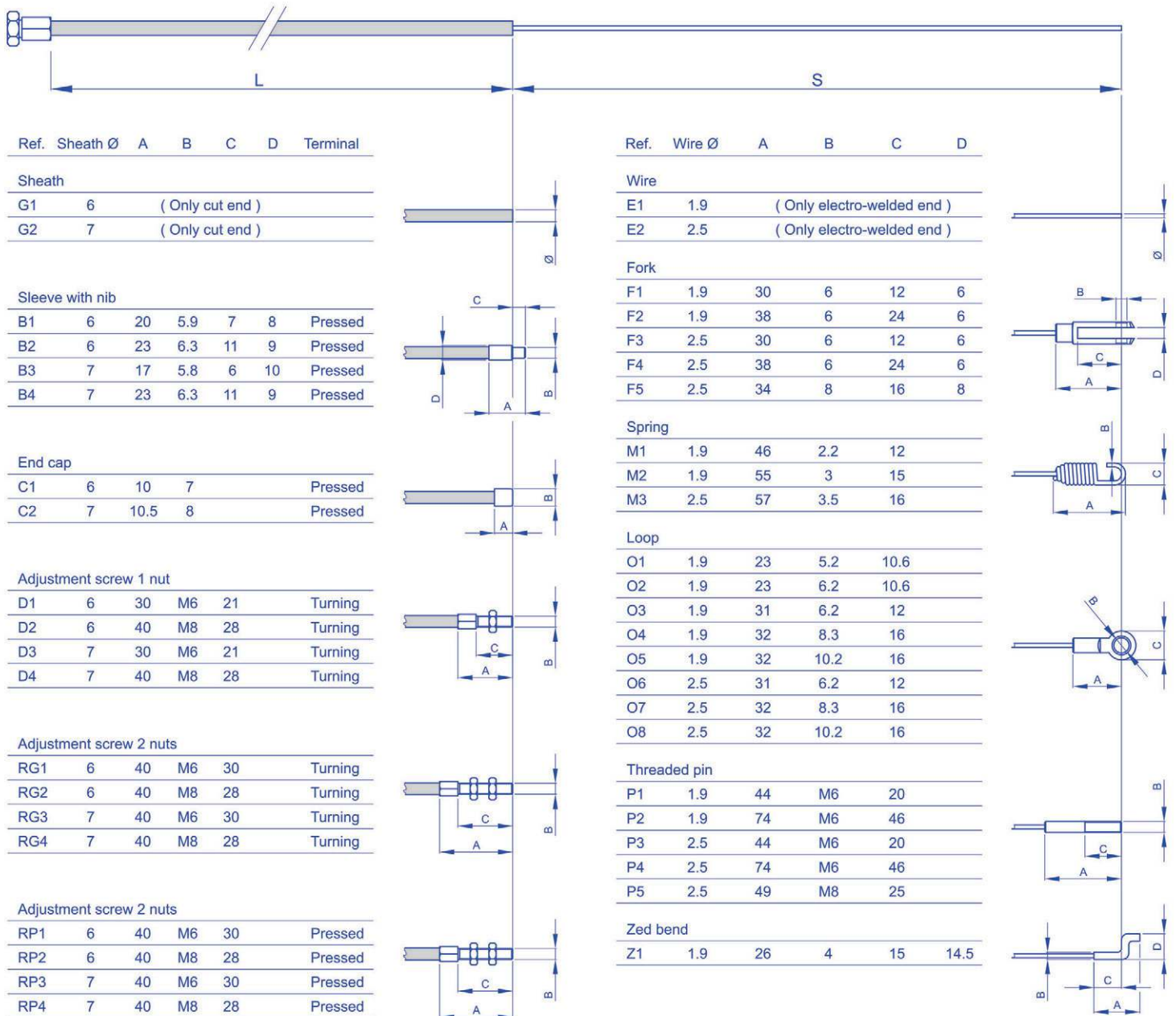
COMBINED MECHANICAL CONTROLS COMPATIBLE WITH UPPER LEVER CABLES MODEL CL 11D

Characteristics of compatible cables for lever "A":

- Sheath diameter: Ø6 mm or Ø7 mm with inner antifriction tube
- Sheath length: upon request
- Wire diameter: Ø1,9 mm or Ø2,5 mm
- Wire protrusion length: upon request
- Sheath terminals: see table
- Wire terminals: see table

Sheath options

Wire options



Ref.	Sheath Ø	A	B	C	D	Terminal
Sheath						
G1	6	(Only cut end)				
G2	7	(Only cut end)				

Ref.	Sheath Ø	A	B	C	D	Terminal
Sleeve with nib						
B1	6	20	5.9	7	8	Pressed
B2	6	23	6.3	11	9	Pressed
B3	7	17	5.8	6	10	Pressed
B4	7	23	6.3	11	9	Pressed

Ref.	Sheath Ø	A	B	Terminal
End cap				
C1	6	10	7	Pressed
C2	7	10.5	8	Pressed

Ref.	Sheath Ø	A	B	C	D	Terminal
Adjustment screw 1 nut						
D1	6	30	M6	21	Turning	
D2	6	40	M8	28	Turning	
D3	7	30	M6	21	Turning	
D4	7	40	M8	28	Turning	

Ref.	Sheath Ø	A	B	C	D	Terminal
Adjustment screw 2 nuts						
RG1	6	40	M6	30	Turning	
RG2	6	40	M8	28	Turning	
RG3	7	40	M6	30	Turning	
RG4	7	40	M8	28	Turning	

Ref.	Sheath Ø	A	B	C	D	Terminal
Adjustment screw 2 nuts						
RP1	6	40	M6	30	Pressed	
RP2	6	40	M8	28	Pressed	
RP3	7	40	M6	30	Pressed	
RP4	7	40	M8	28	Pressed	

Ref.	Wire Ø	A	B	C	D
Wire					
E1	1.9	(Only electro-welded end)			
E2	2.5	(Only electro-welded end)			

Ref.	Wire Ø	A	B	C	D
Fork					
F1	1.9	30	6	12	6
F2	1.9	38	6	24	6
F3	2.5	30	6	12	6
F4	2.5	38	6	24	6
F5	2.5	34	8	16	8

Ref.	Wire Ø	A	B	C
Spring				
M1	1.9	46	2.2	12
M2	1.9	55	3	15
M3	2.5	57	3.5	16

Ref.	Wire Ø	A	B	C
Loop				
O1	1.9	23	5.2	10.6
O2	1.9	23	6.2	10.6
O3	1.9	31	6.2	12
O4	1.9	32	8.3	16
O5	1.9	32	10.2	16
O6	2.5	31	6.2	12
O7	2.5	32	8.3	16
O8	2.5	32	10.2	16

Ref.	Wire Ø	A	B	C
Threaded pin				
P1	1.9	44	M6	20
P2	1.9	74	M6	46
P3	2.5	44	M6	20
P4	2.5	74	M6	46
P5	2.5	49	M8	25

Ref.	Wire Ø	A	B	C	D
Zed bend					
Z1	1.9	26	4	15	14.5



COMBINED MECHANICAL CONTROLS ORDER FORM FOR COMPATIBLE WITH UPPER LEVER CABLES MODEL CL 11D

To order:

The technical options that are represented on the opposite page are the standard personalizations which are provided from the company.

Among these possibilities, you can choose the cable construction that meets your requirements.

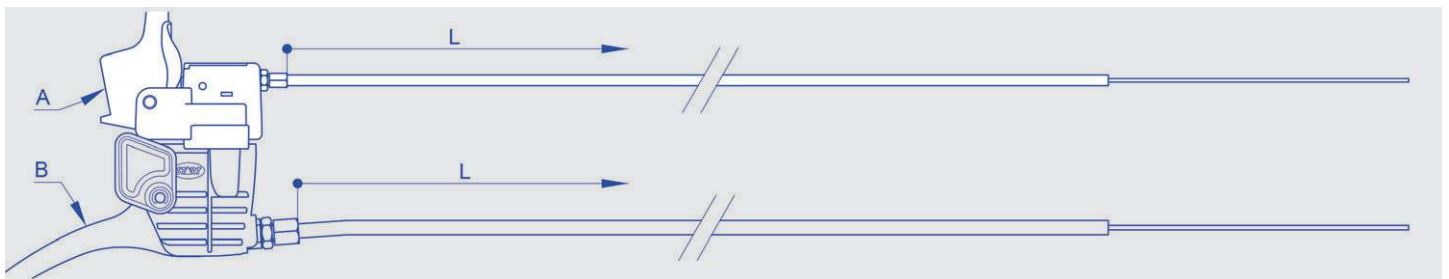
At first choose the sheath diameter and select the corresponding terminals among the possible options.

Find out your preferences and fill in the boxes with the number or the letters/number corresponding to your options.

Example: if you choose a Ø7 mm sheath and you want a sleeve with nib as terminal, indicate the code 05 or 06, according to your needs.

And so on for other variables.

The same procedure must be used to choose the wire: start choosing the diameter and then select the corresponding options.



To order: compose, please, your product code inserting the boldfaced code corresponding to the chosen option in the proper square.

CL 11D - Lever A cable

<p>Sheath length (L) in mm: _____</p> <p>Wire protrusion length (S) in mm: _____</p> <p>Sheath Ø6 mm (only cut) G1: 01</p> <p>Sheath Ø7 mm (only cut) G2: 02</p> <p>Sleeve with nib B1: 03</p> <p>Sleeve with nib B2: 04</p> <p>Sleeve with nib B3: 05</p> <p>Sleeve with nib B4: 06</p> <p>End cap C1: 07</p> <p>End cap C2: 08</p> <p>Adjustment screw 1 nut D1: 09</p> <p>Adjustment screw 1 nut D2: 10</p> <p>Adjustment screw 1 nut D3: 11</p> <p>Adjustment screw 1 nut D4: 12</p> <p>Turning adjustment screw 2 nuts RG1: 13</p> <p>Turning adjustment screw 2 nuts RG2: 14</p> <p>Turning adjustment screw 2 nuts RG3: 15</p> <p>Turning adjustment screw 2 nuts RG4: 16</p> <p>Pressed adjustment screw 2 nuts RP1: 17</p> <p>Pressed adjustment screw 2 nuts RP2: 18</p> <p>Pressed adjustment screw 2 nuts RP3: 19</p> <p>Pressed adjustment screw 2 nuts RP4: 20</p>	<p>Only electro-welded wire Ø1,9 mm without terminal E1: 21</p> <p>Only electro-welded wire Ø2,5 mm without terminal E2: 22</p> <p>Fork F1: 23</p> <p>Fork F2: 24</p> <p>Fork F3: 25</p> <p>Fork F4: 26</p> <p>Fork F5: 27</p> <p>Spring M1: 28</p> <p>Spring M2: 29</p> <p>Spring M3: 30</p> <p>Loop O1: 31</p> <p>Loop O2: 32</p> <p>Loop O3: 33</p> <p>Loop O4: 34</p> <p>Loop O5: 35</p> <p>Loop O6: 36</p> <p>Loop O7: 37</p> <p>Loop O8: 38</p> <p>Threaded pin P1: 39</p> <p>Threaded pin P2: 40</p> <p>Threaded pin P3: 41</p> <p>Threaded pin P4: 42</p> <p>Threaded pin P5: 43</p> <p>Zed bend Z1: 44</p>
--	---



COMBINED MECHANICAL CONTROLS COMPATIBLE WITH LOWER LEVER CABLES MODEL CL 11D

Characteristics of compatible cables for lever "B":

- Sheath diameter: Ø6 mm or Ø7 mm with inner antifriction tube
- Sheath length: upon request
- Wire diameter: Ø1,9 mm or Ø2,5 mm
- Wire protrusion length: upon request
- Sheath terminals: see table
- Wire terminals: see table

Sheath options

Wire options

Ref.	Sheath Ø	A	B	C	D	Terminal
Sheath						
G1	6	(Only cut end)				
G2	7	(Only cut end)				
Sleeve with nib						
B1	6	20	5.9	7	8	Pressed
B2	6	23	6.3	11	9	Pressed
B3	7	17	5.8	6	10	Pressed
B4	7	23	6.3	11	9	Pressed
End cap						
C1	6	10	7			Pressed
C2	7	10.5	8			Pressed
Adjustment screw 1 nut						
D1	6	30	M6	21		Turning
D2	6	40	M8	28		Turning
D3	7	30	M6	21		Turning
D4	7	40	M8	28		Turning
Adjustment screw 2 nuts						
RG1	6	40	M6	30		Turning
RG2	6	40	M8	28		Turning
RG3	7	40	M6	30		Turning
RG4	7	40	M8	28		Turning
Adjustment screw 2 nuts						
RP1	6	40	M6	30		Pressed
RP2	6	40	M8	28		Pressed
RP3	7	40	M6	30		Pressed
RP4	7	40	M8	28		Pressed

Ref.	Wire Ø	A	B	C	D
Wire					
E1	1.9	(Only electro-welded end)			
E2	2.5	(Only electro-welded end)			
Fork					
F1	1.9	30	6	12	6
F2	1.9	38	6	24	6
F3	2.5	30	6	12	6
F4	2.5	38	6	24	6
F5	2.5	34	8	16	8
Spring					
M1	1.9	46	2.2	12	
M2	1.9	55	3	15	
M3	2.5	57	3.5	16	
Loop					
O1	1.9	23	5.2	10.6	
O2	1.9	23	6.2	10.6	
O3	1.9	31	6.2	12	
O4	1.9	32	8.3	16	
O5	1.9	32	10.2	16	
O6	2.5	31	6.2	12	
O7	2.5	32	8.3	16	
O8	2.5	32	10.2	16	
Threaded pin					
P1	1.9	44	M6	20	
P2	1.9	74	M6	46	
P3	2.5	44	M6	20	
P4	2.5	74	M6	46	
P5	2.5	49	M8	25	
Zed bend					
Z1	1.9	26	4	15	14.5



COMBINED MECHANICAL CONTROLS ORDER FORM FOR COMPATIBLE WITH LOWER LEVER CABLES MODEL CL 11D

To order:

The technical options that are represented on the opposite page are the standard personalizations which are provided from the company.

Among these possibilities, you can choose the cable construction that meets your requirements.

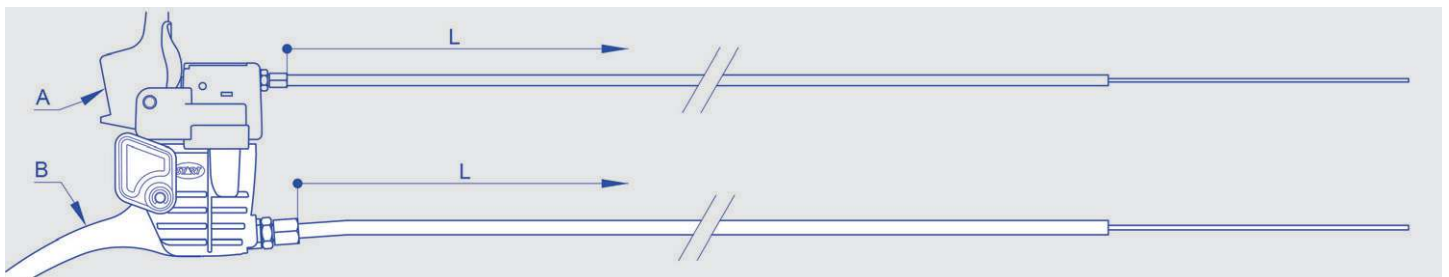
At first choose the sheath diameter and select the corresponding terminals among the possible options.

Find out your preferences and fill in the boxes with the number or the letters/number corresponding to your options.

Example: if you choose a Ø7 mm sheath and you want a sleeve with nib as terminal, indicate the code 05 or 06, according to your needs.

And so on for other variables.

The same procedure must be used to choose the wire: start choosing the diameter and then select the corresponding options.



To order: compose, please, your product code inserting the boldfaced code corresponding to the chosen option in the proper square.

CL 11D - Lever B cable

Sheath length (L) in mm: _____

Wire protrusion length (S) in mm: _____

Sheath Ø6 mm (only cut) G1: **01**

Sheath Ø7 mm (only cut) G2: **02**

Sleeve with nib B1: **03**

Sleeve with nib B2: **04**

Sleeve with nib B3: **05**

Sleeve with nib B4: **06**

End cap C1: **07**

End cap C2: **08**

Adjustment screw 1 nut D1: **09**

Adjustment screw 1 nut D2: **10**

Adjustment screw 1 nut D3: **11**

Adjustment screw 1 nut D4: **12**

Turning adjustment screw 2 nuts RG1: **13**

Turning adjustment screw 2 nuts RG2: **14**

Turning adjustment screw 2 nuts RG3: **15**

Turning adjustment screw 2 nuts RG4: **16**

Pressed adjustment screw 2 nuts RP1: **17**

Pressed adjustment screw 2 nuts RP2: **18**

Pressed adjustment screw 2 nuts RP3: **19**

Pressed adjustment screw 2 nuts RP4: **20**

Only electro-welded wire Ø1,9 mm without terminal E1: **21**

Only electro-welded wire Ø2,5 mm without terminal E2: **22**

Fork F1: **23**

Fork F2: **24**

Fork F3: **25**

Fork F4: **26**

Fork F5: **27**

Spring M1: **28**

Spring M2: **29**

Spring M3: **30**

Loop O1: **31**

Loop O2: **32**

Loop O3: **33**

Loop O4: **34**

Loop O5: **35**

Loop O6: **36**

Loop O7: **37**

Loop O8: **38**

Threaded pin P1: **39**

Threaded pin P2: **40**

Threaded pin P3: **41**

Threaded pin P4: **42**

Threaded pin P5: **43**

Zed bend Z1: **44**