

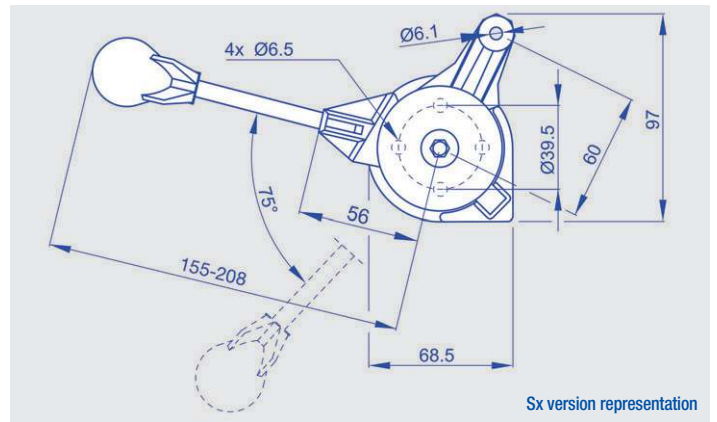


LATERAL MECHANICAL CONTROLS WITH TRACTION AND COMPRESSION ACTING WITH DIRECT ACTING (medium loads applications - single cable) AND ORDER FORM

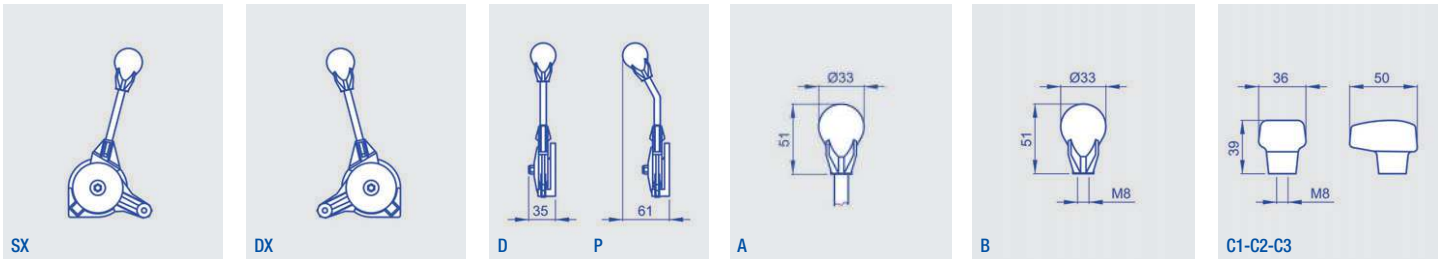
MODEL AG 40S

Characteristics:

- Cable linear stroke: 66 mm
- Assembly: on walls Fastening type: with M6 through screws
- Functioning: frictioned having an adjustable stiffness Version: left or right
- Lever material: nylon with stainless steel insert Lever typology: straight or bent
- Lever length: 155 mm or 208 mm Knob material: nylon
- Knob typology: fixed (available only with lever 155 mm long) or unscrewable
- Knob shape: round or rectangular Round knob colour: black Rectangular knob colour: black – red – orange



Sx version representation



To order: compose, please, your product code inserting the boldfaced code corresponding to the chosen option in the proper square.

AG 40S					
--------	--	--	--	--	--

Lever version left: **SX**
Lever version right: **DX**

Straight lever: **D**
Bent lever: **P**

Lever length 155 mm: **1**
Lever length 208 mm: **2**

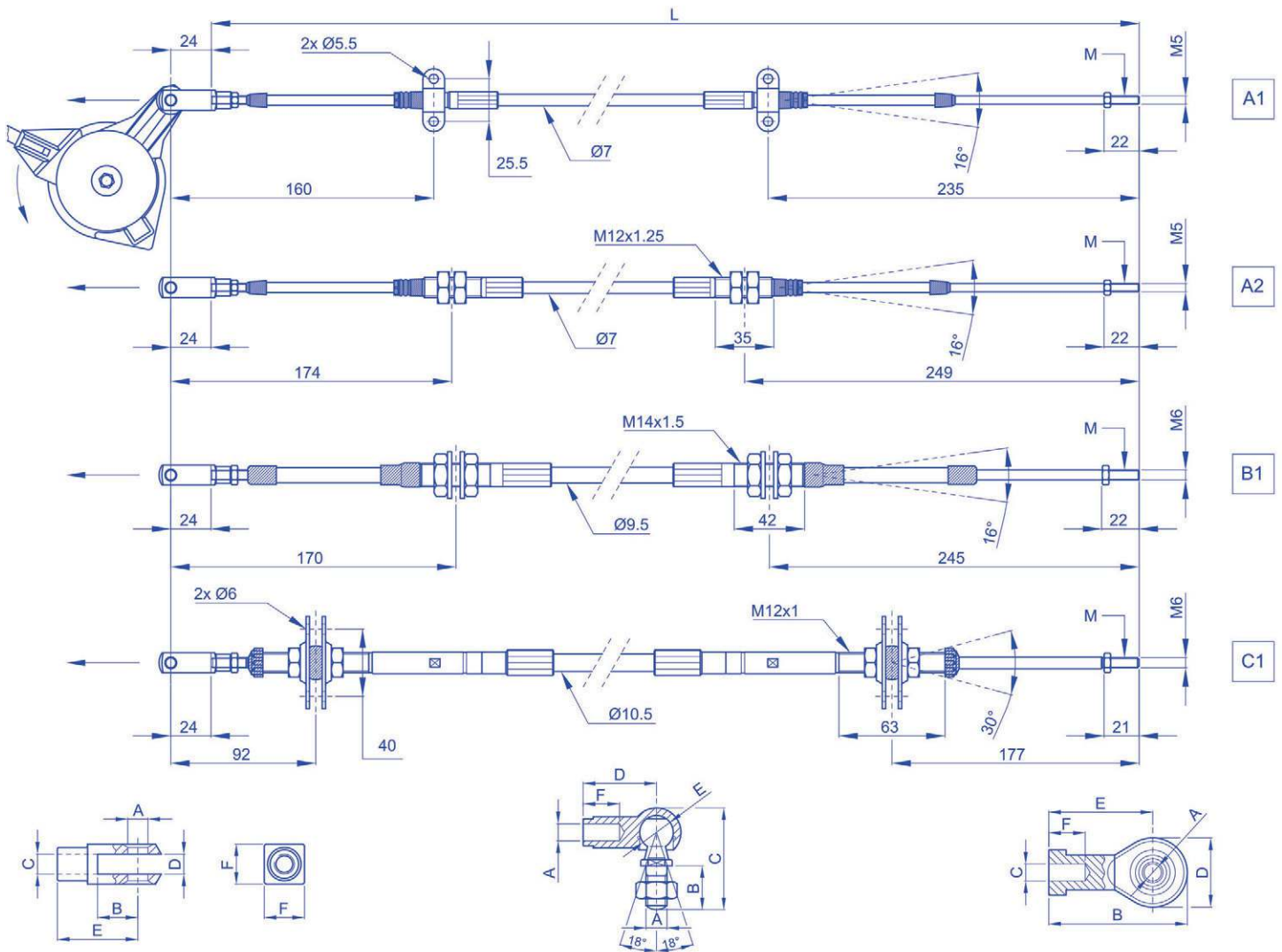
Fixed round black knob (available only with lever 155 mm long): **A**
Unscrewable round black knob: **B**
Unscrewable rectangular black knob: **C1**
Unscrewable rectangular red knob: **C2**
Unscrewable rectangular orange knob: **C3**



LATERAL MECHANICAL CONTROLS COMPATIBLE CABLES MODEL AG 40S

Characteristics:

- Cable with sheath $\varnothing 7$ mm suitable for push loadings up to 12 kg.
- Cable with sheath $\varnothing 9,5$ mm suitable for push loadings up 30 kg.
- Cable with sheath $\varnothing 10,5$ mm suitable for push loadings up to 60 kg.
- Cable length: upon request
- Cable terminals: see table
- Cable accessories: see table



Ref.	A	B	C	D	E	F
Fork						
F1	5	10	M5	5	20	10
F2	5	20	M5	5	30	10
F3	6	12	M6	6	24	12
F4	6	24	M5	6	36	12
F5	6	24	M6	6	36	12
F6	8	32	M6	8	48	16

Ref.	A	B	C	D	E	F
Angular joint						
S1	M5	10.2	28.2	22	8	10
S2	M6	12.5	31	25	10	11.5

Ref.	A	B	C	D	E	F
Joint head						
T1	5	35	M5	16	27	15
T2	6	40	M6	20	30	12

L = Cable length with rod in start stroke position.



LATERAL MECHANICAL CONTROLS ORDER FORM FOR COMPATIBLE CABLES MODEL AG 40S

To order:

The technical options that are represented on the opposite page are the standard personalizations which are provided from the company.

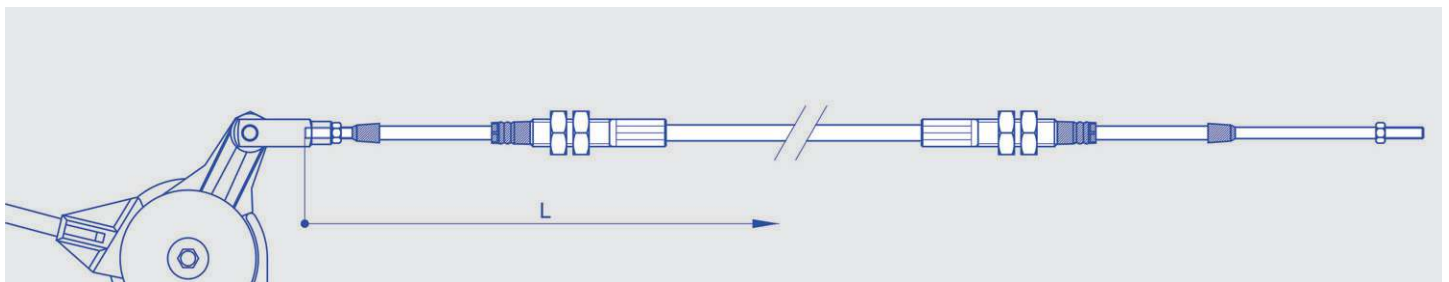
Among these possibilities, you can choose the cable construction that meets your requirements.

At first choose the cable typology and select the corresponding accessories among the possible options.

Find out your preferences and fill in the boxes with the number or the letters/number corresponding to your options.

Example: if you choose a Ø9,5 mm cable and you want a fork as accessory, indicate the code 08 or 10 or 11, according to your needs.

And so on for other variables.



To order: compose, please, your product code inserting the boldfaced code corresponding to the chosen option in the proper square.

Cable			
-------	--	--	--

Cable length (L) in mm: _____

Cable Ø7 mm with jointed connection with plate A1: **01**

Cable Ø7 mm with jointed threaded connection A2: **02**

Cable Ø9,5 mm with jointed threaded connection B1: **03**

Cable Ø10,5 mm with threaded connection with flanges for joint C1: **04**

Only thread M: **05**

Fork F1: **06**

Fork F2: **07**

Fork F3: **08**

Fork F4: **09**

Fork F5: **10**

Fork F6: **11**

Angular joint S1: **12**

Angular joint S2: **13**

Joint head T1: **14**

Joint head T2: **15**